

INSTALLATION MANUAL

12120A

LED
BUILT IN



DARK
LIGHT

CE EAC UK CA

RoHS
COMPLIANT

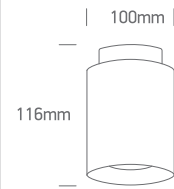
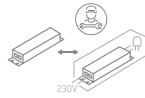


NOT
DIMMABLE

230V | 20W | IP20 | Die cast + plastic reflector

Complete with 500mA driver.

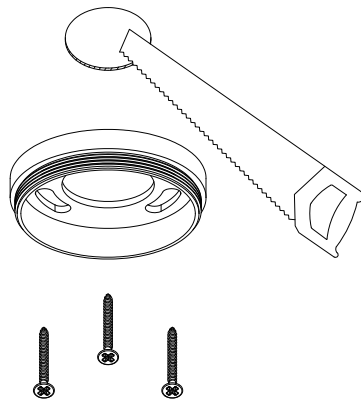
90
CRI



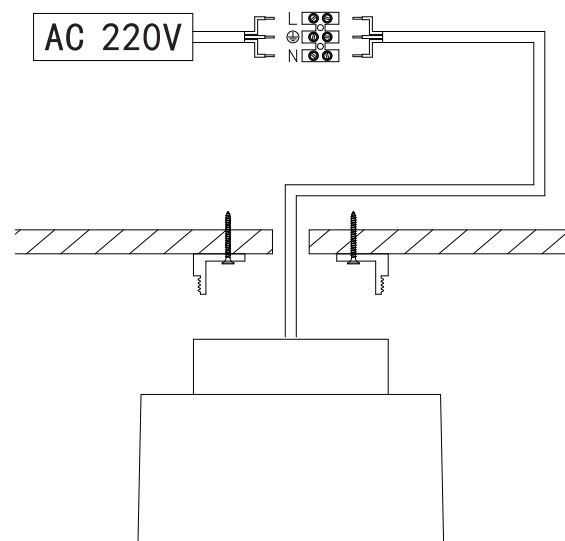
one
LIGHT

A

CUT OUT : $\phi 25\text{mm}$

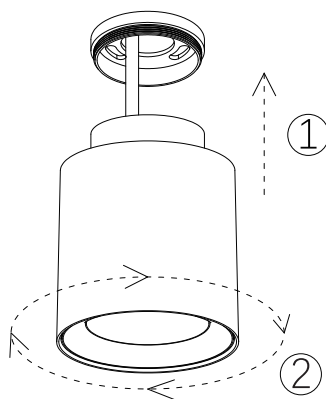


B

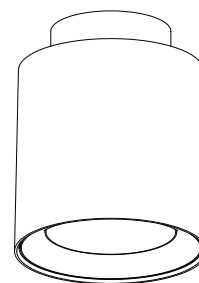


C

LOCK



D



Warnings:

1. Make sure that the product is installed properly before connecting to electricity.
2. Do not cover the fitting.
3. Maintenance and installation should only be carried out by a professional electrician.