

INSTALLATION MANUAL

12120A

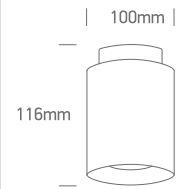
LED
BUILT IN



DARK
LIGHT

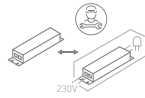
CE EAC UK
CA

RoHS
COMPLIANT



230V | 20W | IP20 | Die cast + plastic reflector
Complete with 500mA driver.

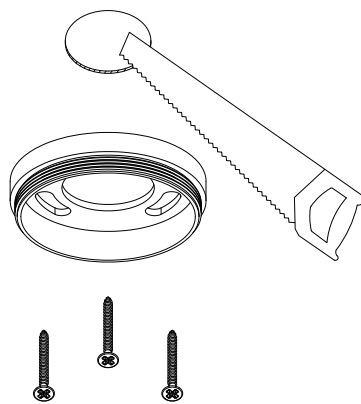
90
CRI



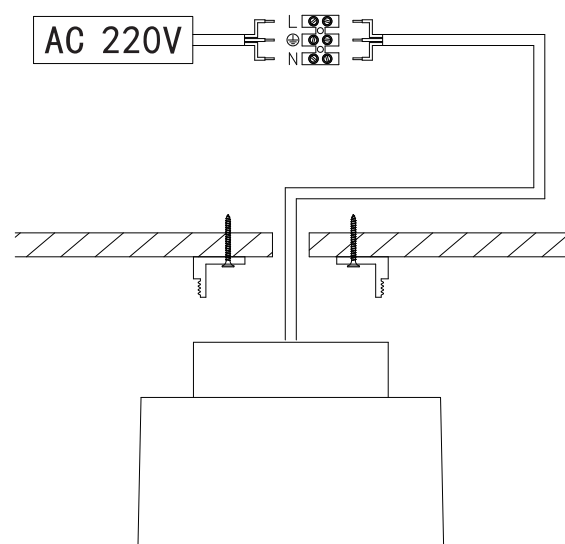
one
LIGHT

A

CUT OUT : $\phi 25\text{mm}$

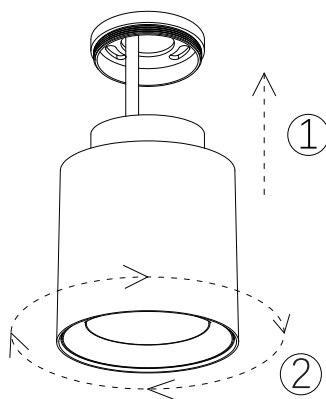


B

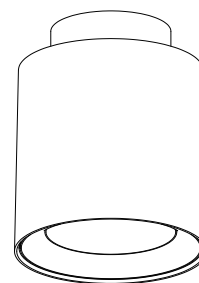


C

LOCK



D



Warnings:

1. Make sure that the product is installed properly before connecting to electricity.
2. Do not cover the fitting.
3. Maintenance and installation should only be carried out by a professional electrician.