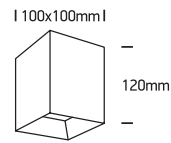
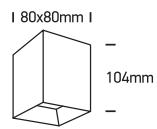
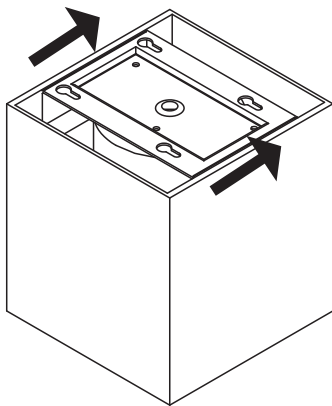
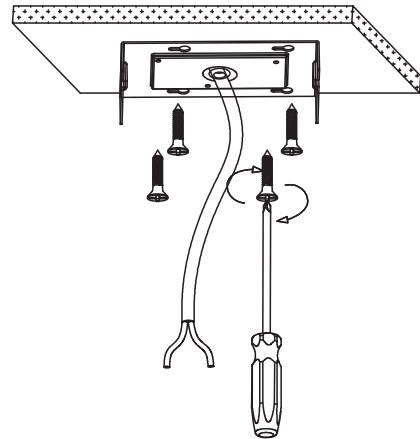
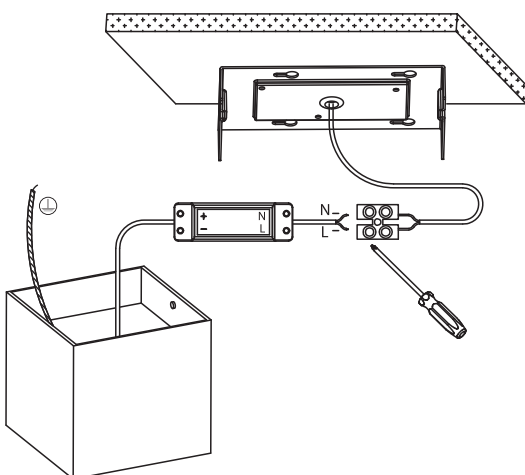
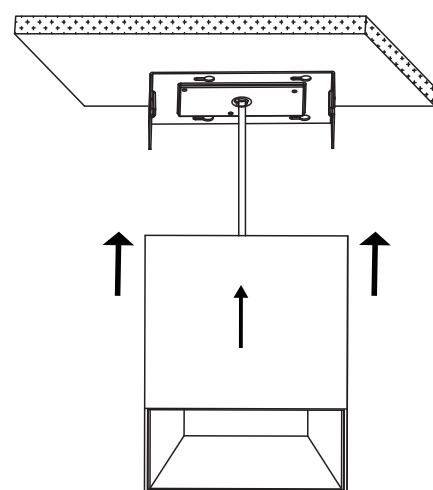


INSTALLATION MANUAL

12110HA, 12115HA

ecolight**DARK
LIGHT****80
CRI**

Complete with driver.

12110HA: 230V | COB LED | 10W | IP20 | Aluminium**12115HA: 230V | COB LED | 15W | IP20 | Aluminium****one**
LIGHT**A****B****C****D****Warnings:**

1. Make sure that the product is installed properly before connecting to electricity.
2. Do not cover the fitting.
3. Maintenance and installation should only be carried out by a professional electrician.