

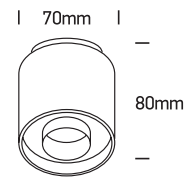
# INSTALLATION MANUAL

12108DB

**ecolight**



DARK  
LIGHT

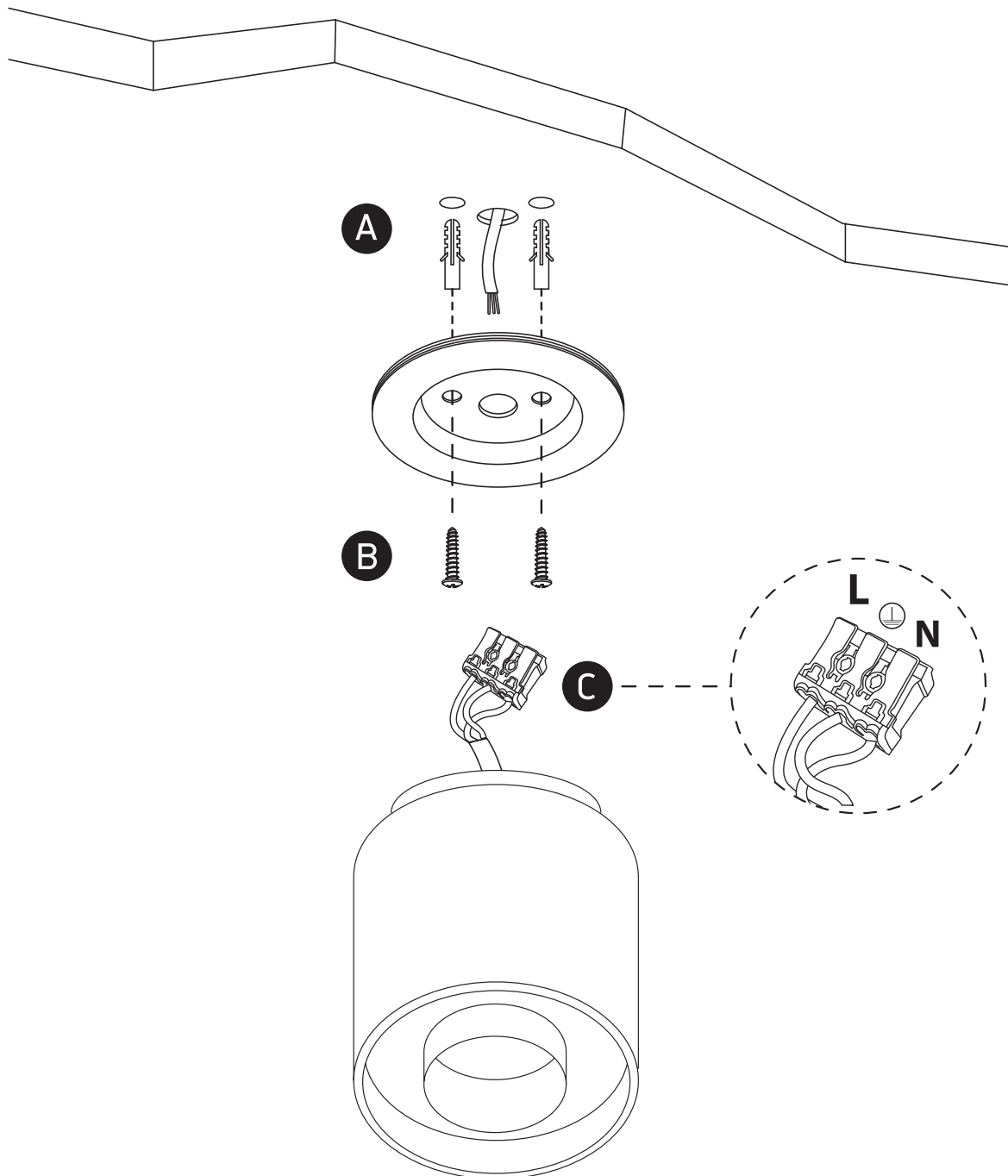


230V | LED | 8W | IP20 | Aluminium

Complete with 700mA driver.

90  
CRI

**one**  
LIGHT



## Warnings:

1. Make sure that the product is installed properly before connecting to electricity.
2. Do not cover the fitting.
3. Maintenance and installation should only be carried out by a professional electrician.