

# INSTALLATION MANUAL

12107V

**ecolight**

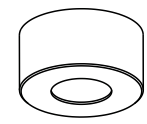


TRIAC  
DIMMABLE

DARK  
LIGHT



79.5mm



40mm

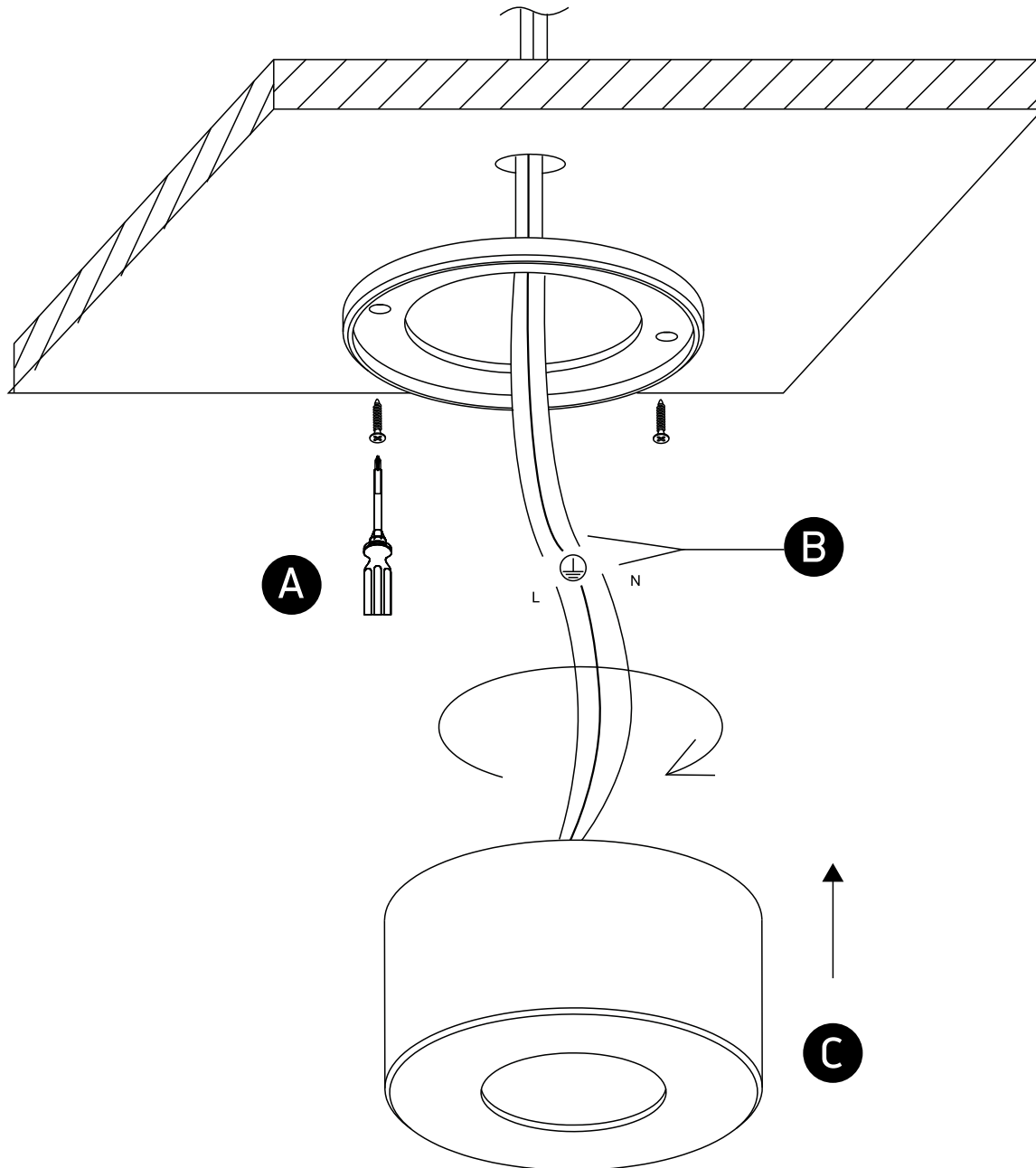
**one**  
LIGHT

230V | COB LED | 7W | IP20 | Aluminium

AC LED



80  
CRI



## Warnings:

1. Make sure that the product is installed properly before connecting to electricity.
2. Do not cover the fitting.
3. Maintenance and installation should only be carried out by a professional electrician.