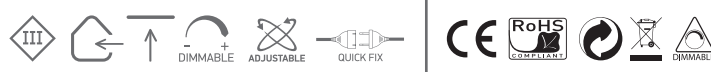


# INSTALLATION MANUAL

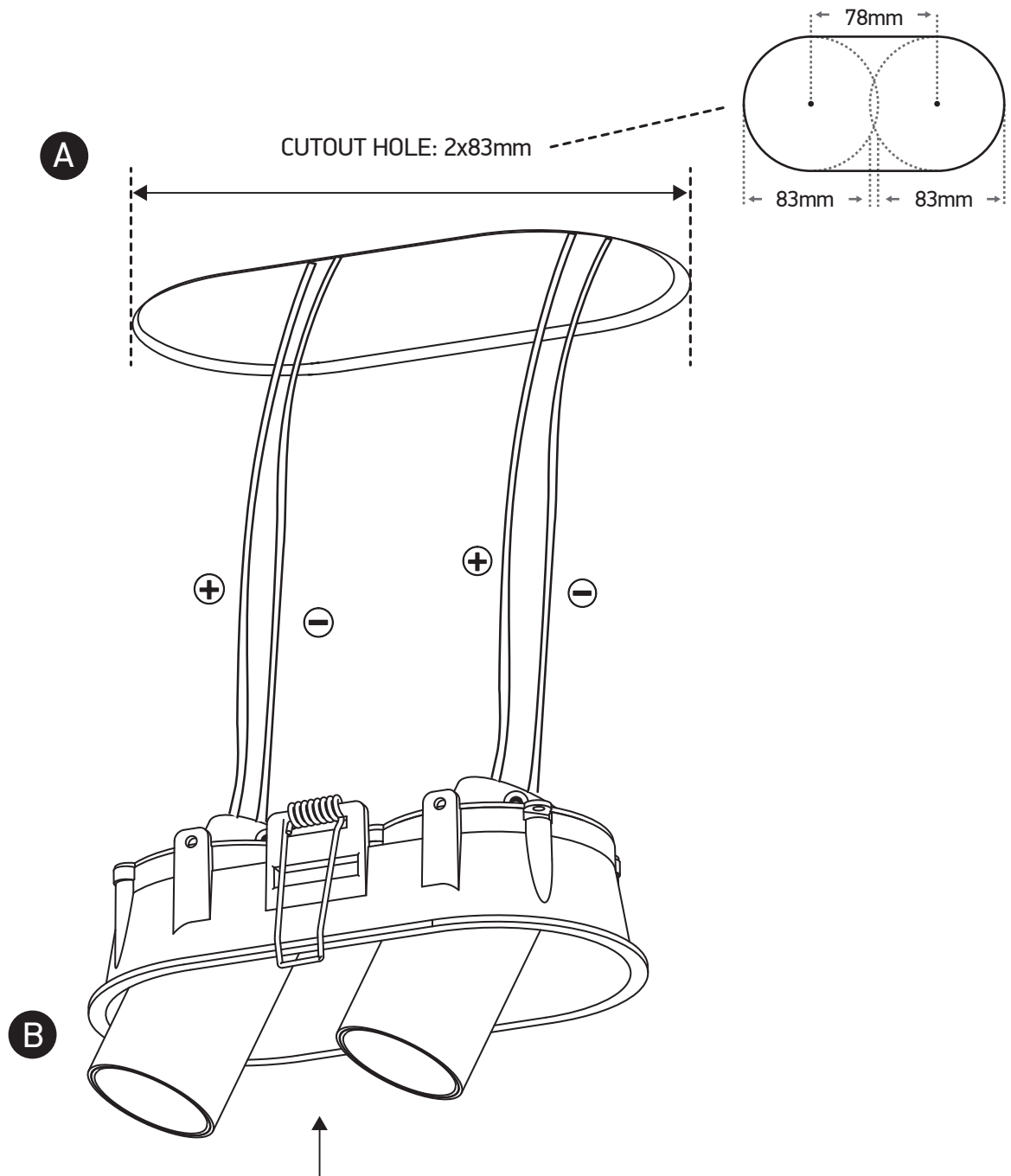
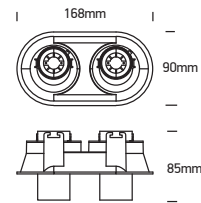
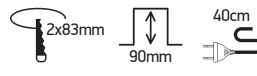
## 11207C

**ecolight**



700mA | COB LED | 2x6,5W | IP20 | Die cast | Adjustable  
Requires 700mA drivers.

**90**  
CRI



### Warnings:

1. Make sure that the product is installed properly before connecting to electricity.
2. Do not cover the fitting.
3. Maintenance and installation should only be carried out by a professional electrician.