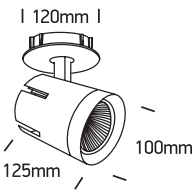


# INSTALLATION MANUAL

## 11140L

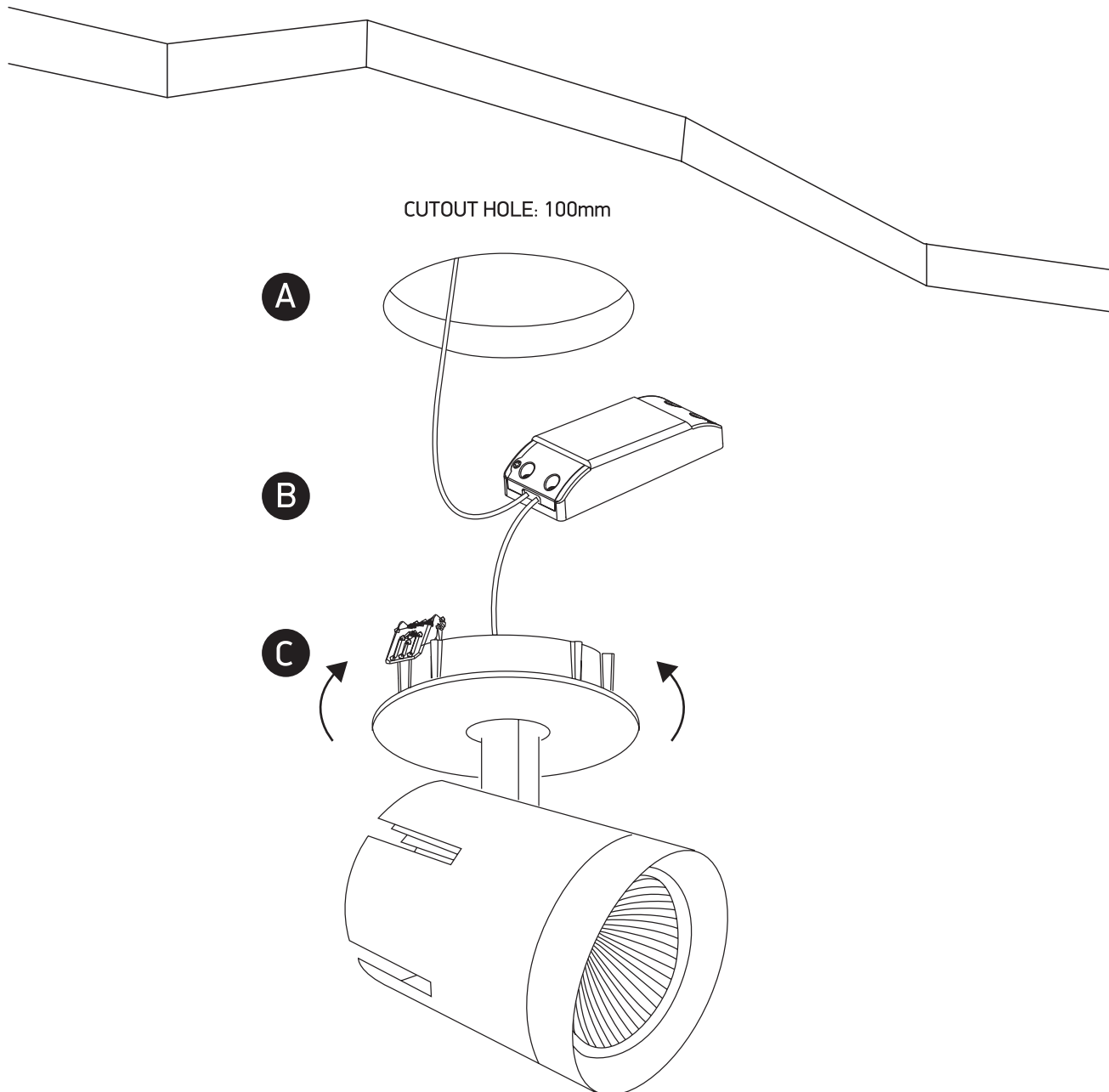
**ecodownlight**



230V | 40W | IP20 | Die cast | Adjustable

Complete with driver

80  
CRI



### Warnings:

1. Make sure that the product is installed properly before connecting to electricity.
2. Do not cover the fitting.
3. Maintenance and installation should only be carried out by a professional electrician.