

INSTALLATION MANUAL

11126F

ecolight



125mm

700mA | 26W | IP20 | Die cast | Adjustable
Requires 700mA driver.

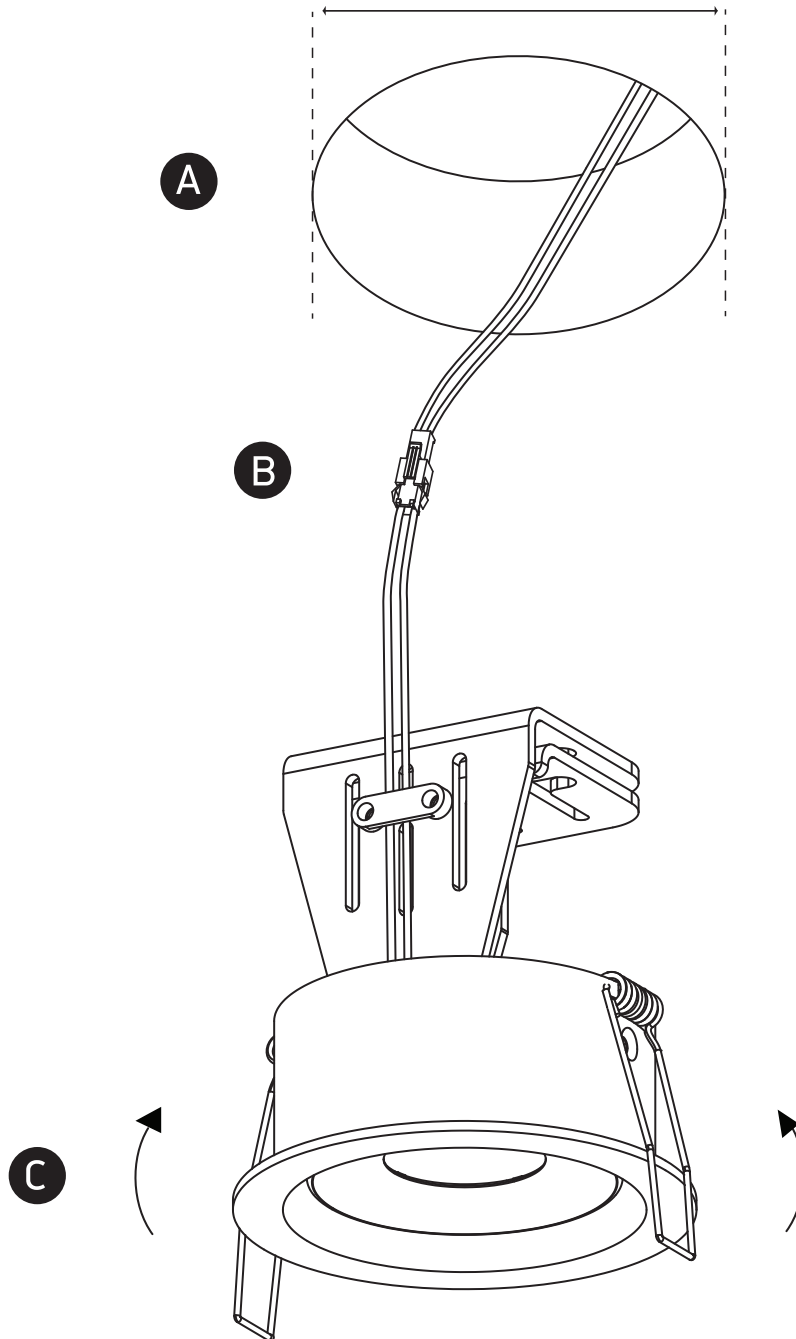
92
CRI



126mm

one
LIGHT

CUTOUT HOLE: 116mm



Warnings:

1. Make sure that the product is installed properly before connecting to electricity.
2. Do not cover the fitting.
3. Maintenance and installation should only be carried out by a professional electrician.