

# INSTALLATION MANUAL

## 11115G

**LED**  
BUILT IN



ADJUSTABLE

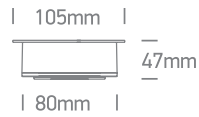
90  
CRI

CE ENEC UK  
CA

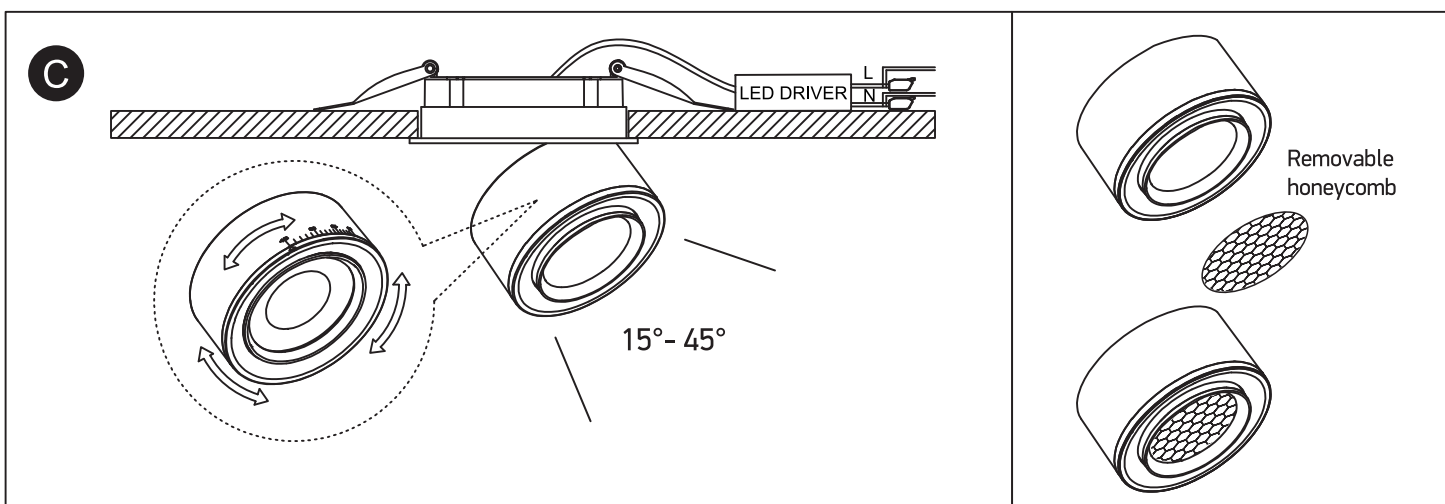
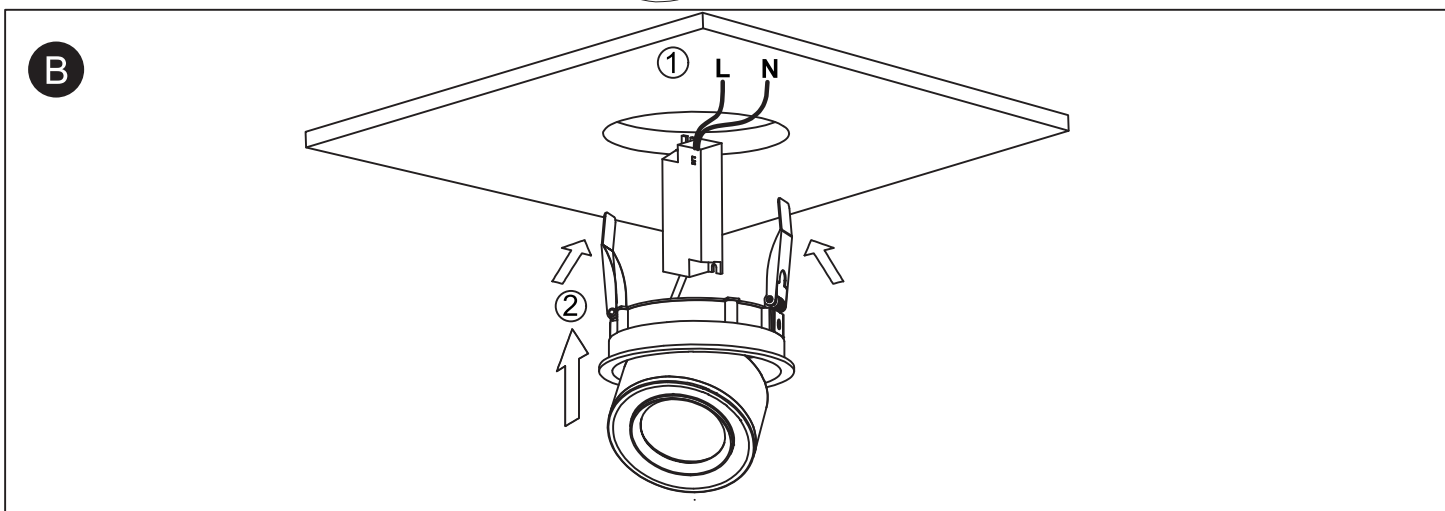
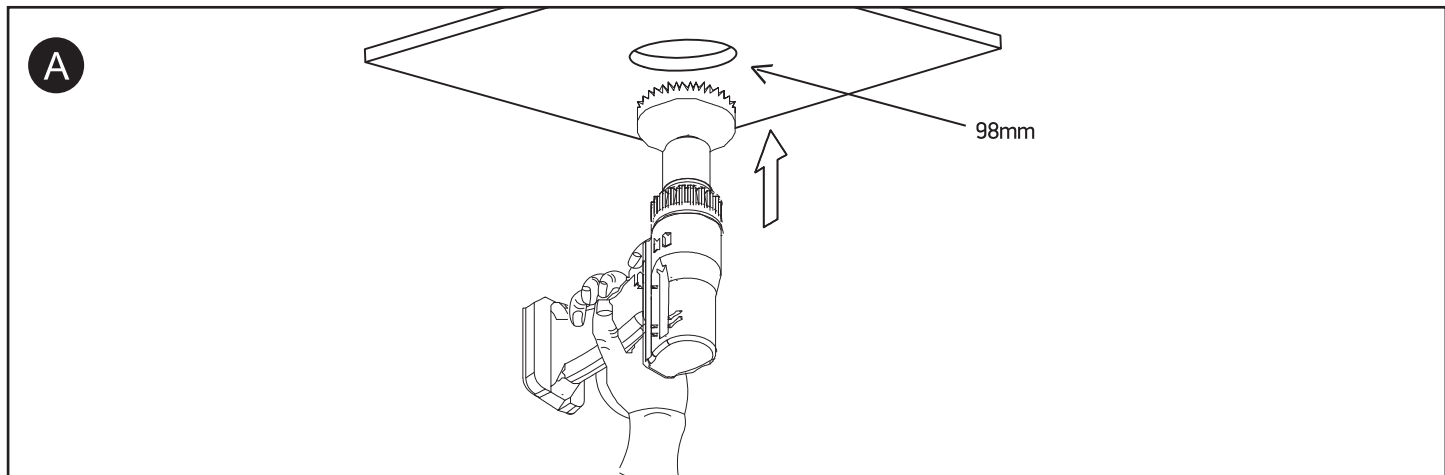
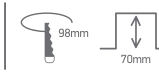
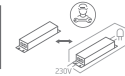
RoHS  
COMPLIANT



NOT  
DIMMABLE



230V | COB LED | 15W | IP20 | Adjustable beam | Aluminium  
Complete with 350mA driver.



### Warnings:

1. Make sure that the product is installed properly before connecting to electricity.
2. Do not cover the fitting.
3. Maintenance and installation should only be carried out by a professional electrician.