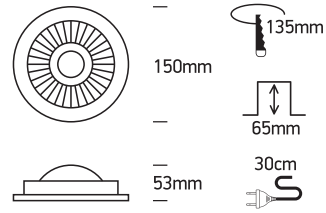


# INSTALLATION MANUAL

## 11115E

**ecodownlight**

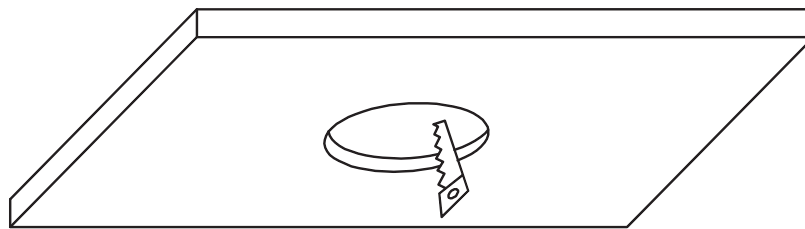


350mA | 15W | IP20 | Die cast | Adjustable  
Requires 350mA driver



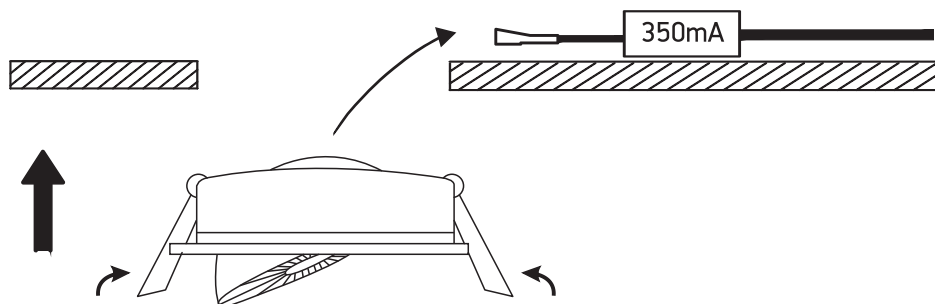
**one**  
LIGHT

**A**

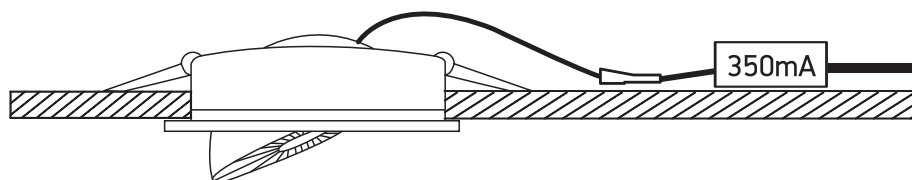


CUTOUT HOLE: 135mm

**B**



**C**



### Warnings:

1. Make sure that the product is installed properly before connecting to electricity.
2. Do not cover the fitting.
3. Maintenance and installation should only be carried out by a professional electrician.