

INSTALLATION MANUAL

11111C

ecolight



DARK
LIGHT



90
CRI



90mm

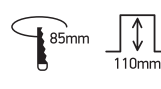
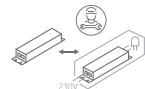
98mm



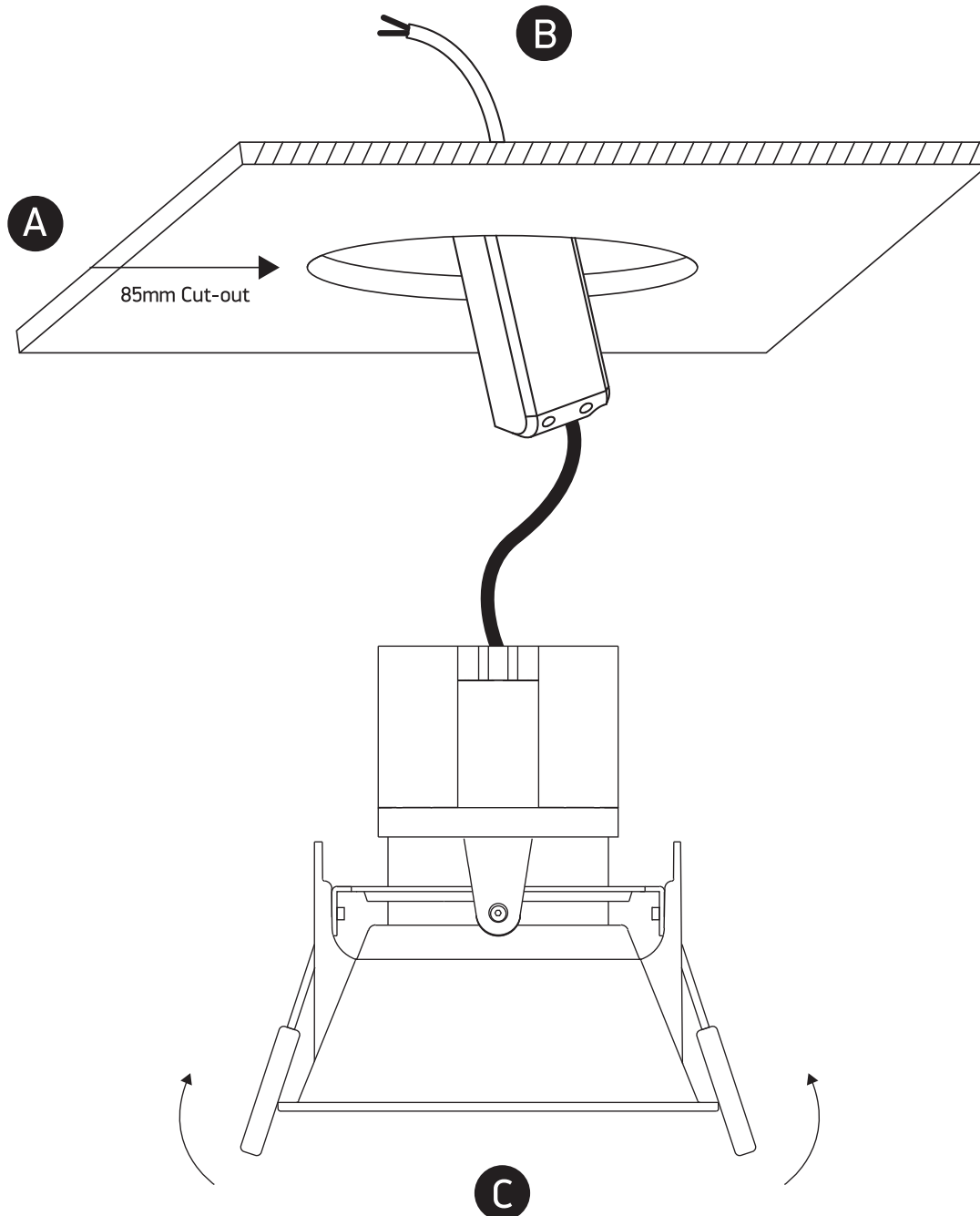
230V | 11W | COB LED | IP20 | Die cast | Adjustable

Complete with 250mA driver.

Complete with Black & Brass reflectors.



one
LIGHT



Warnings:

1. Make sure that the product is installed properly before connecting to electricity.
2. Do not cover the fitting.
3. Maintenance and installation should only be carried out by a professional electrician.