

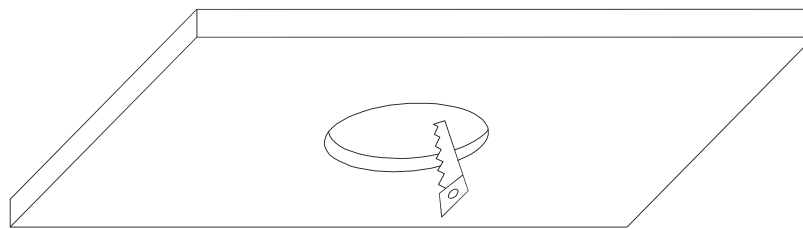
INSTALLATION MANUAL

11110F

ecodownlight				108mm
230V 10W IP20 Die cast	Complete with driver			80 CRI

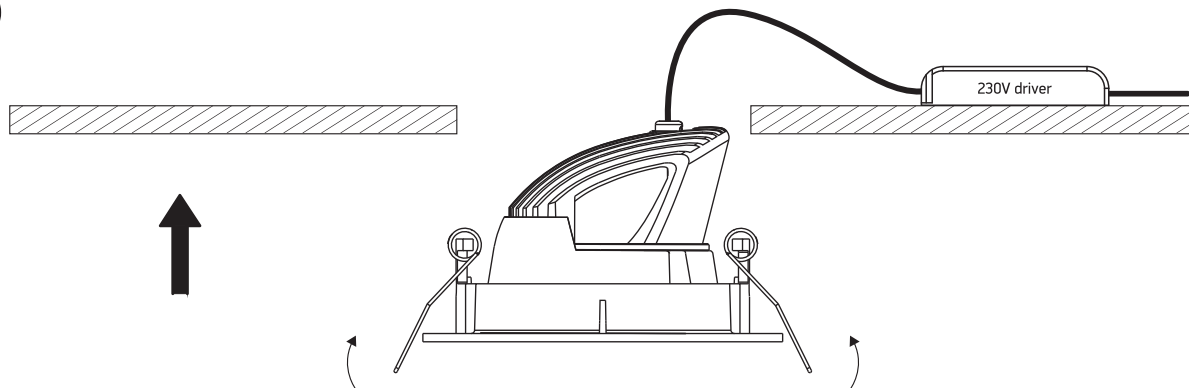


A

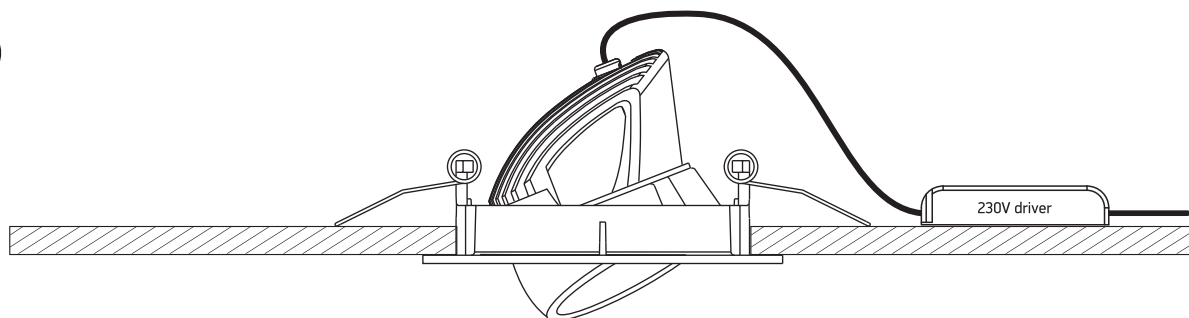


CUTOUT HOLE: 90mm

B



C



Warnings:

1. Make sure that the product is installed properly before connecting to electricity.
2. Do not cover the fitting.
3. Maintenance and installation should only be carried out by a professional electrician.