

INSTALLATION MANUAL

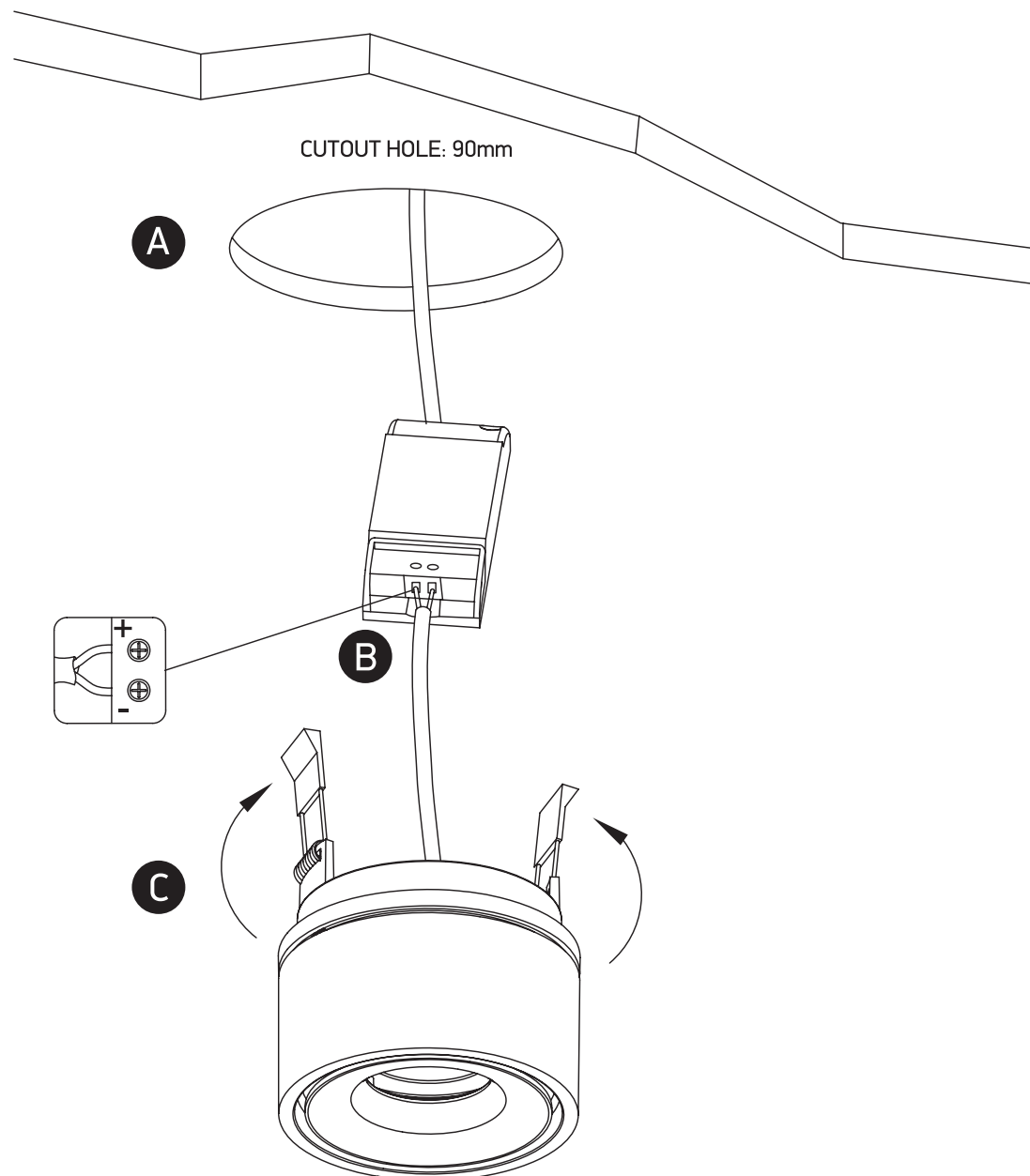
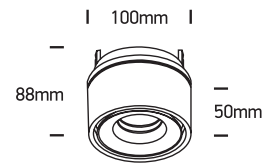
11109LA

ecolight



230V | 9W | IP20 | Die cast | Adjustable
Complete with driver.

80
CRI



Warnings:

1. Make sure that the product is installed properly before connecting to electricity.
2. Do not cover the fitting.
3. Maintenance and installation should only be carried out by a professional electrician.