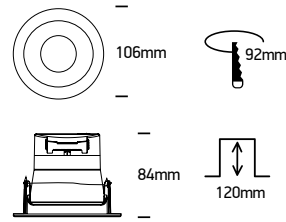


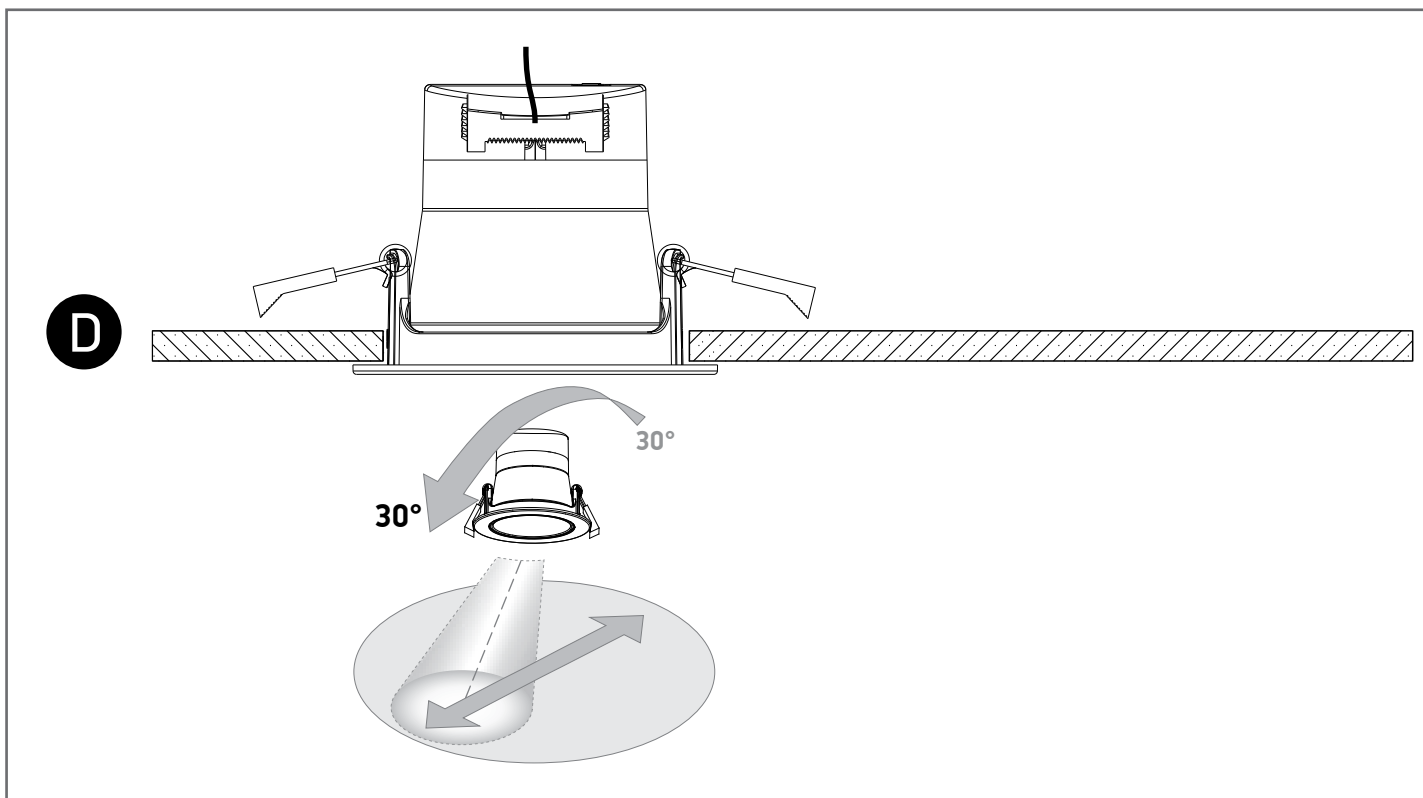
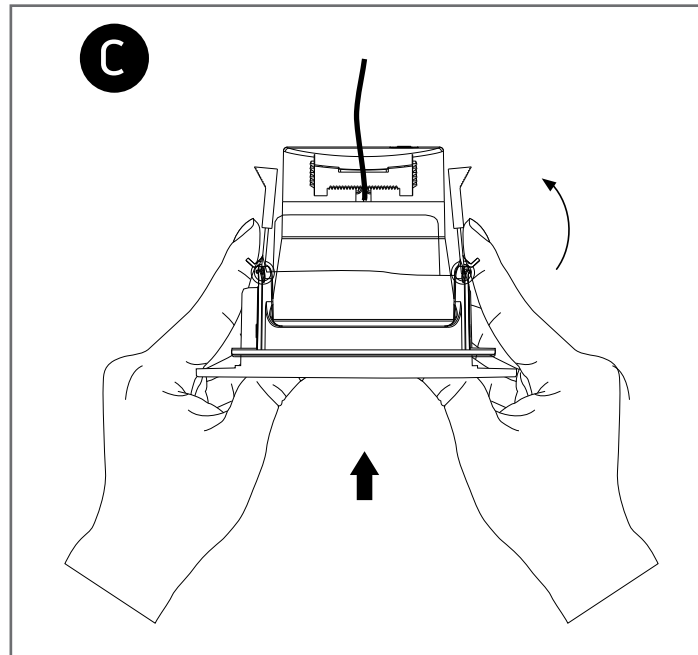
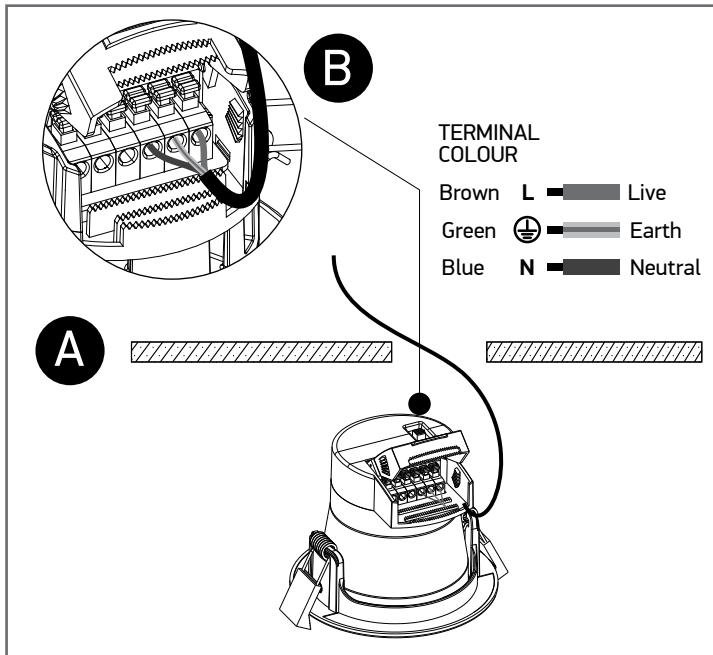
INSTALLATION MANUAL

11106PK



230V | SMD 2835 | 8W | IP54 | Dimmable | Plastic
Complete with 100mA driver.

80 CRI



Warnings:

1. Make sure that the product is installed properly before connecting to electricity.
2. Do not cover the fitting.
3. Maintenance and installation should only be carried out by a professional electrician.