

INSTALLATION MANUAL

11106K

ecolight



ADJUSTABLE



80 CRI



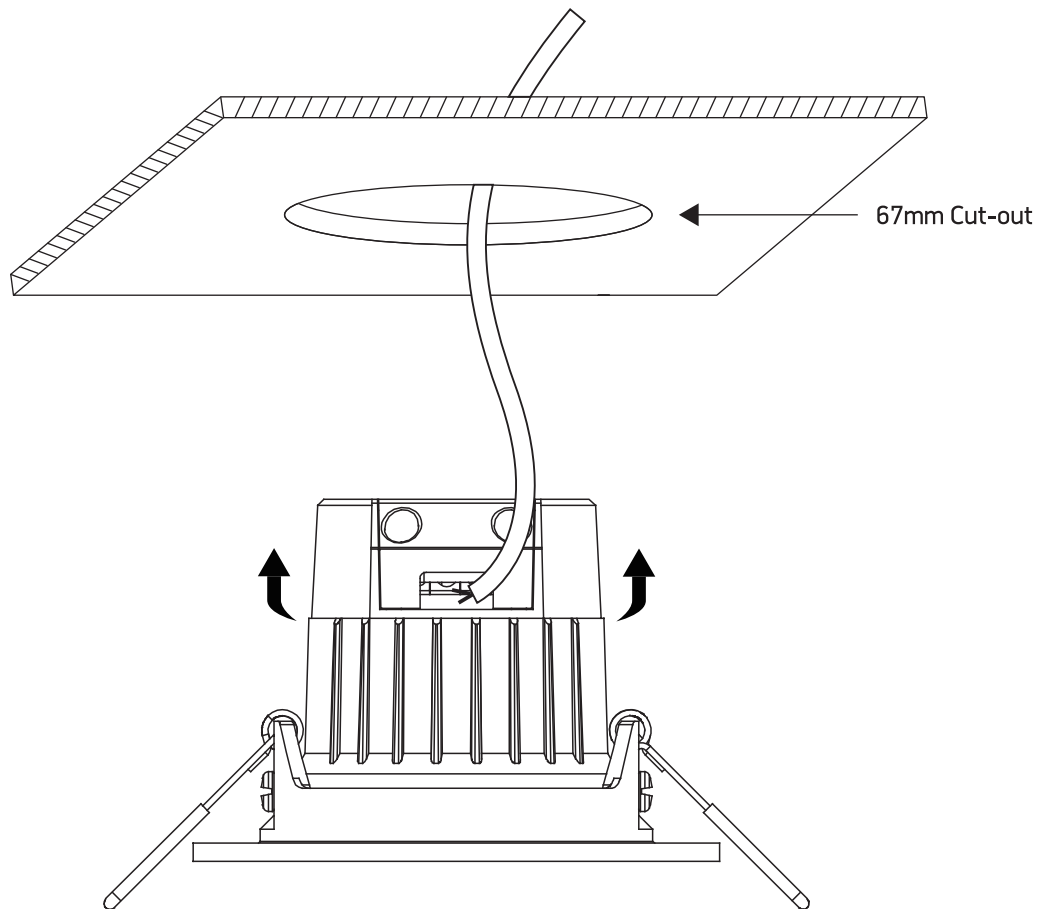
86mm

100-240V | 6W | IP20 | Plastic | Adjustable

Complete with driver.
Includes White/Black/Grey rings.



59.5mm



Warnings:

1. Indoor use only, not for use in damp areas.
2. Operating temperature is $-20^{\circ}\text{C} \sim +40^{\circ}\text{C}$.
3. Make sure power is OFF before installation, replacement or cleaning.
4. Do NOT disassemble the LED fitting.
5. Keep far from paper or other flammable material.
6. Do NOT touch the fitting while operating, it can get hot. Wait some minutes after turning it OFF before touching it.
7. Avoid looking directly into the lamp.
8. Non-Dimmable.
9. LED light source is irreplaceable.