

INSTALLATION MANUAL

11103B

ecolight



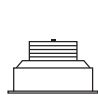
90 CRI



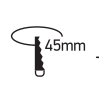
350mA/700mA | 1W/2W | IP20 | Aluminium | Adjustable
For 1W use 350mA driver / For 2W use 700mA driver.



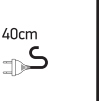
52mm



36mm



45mm

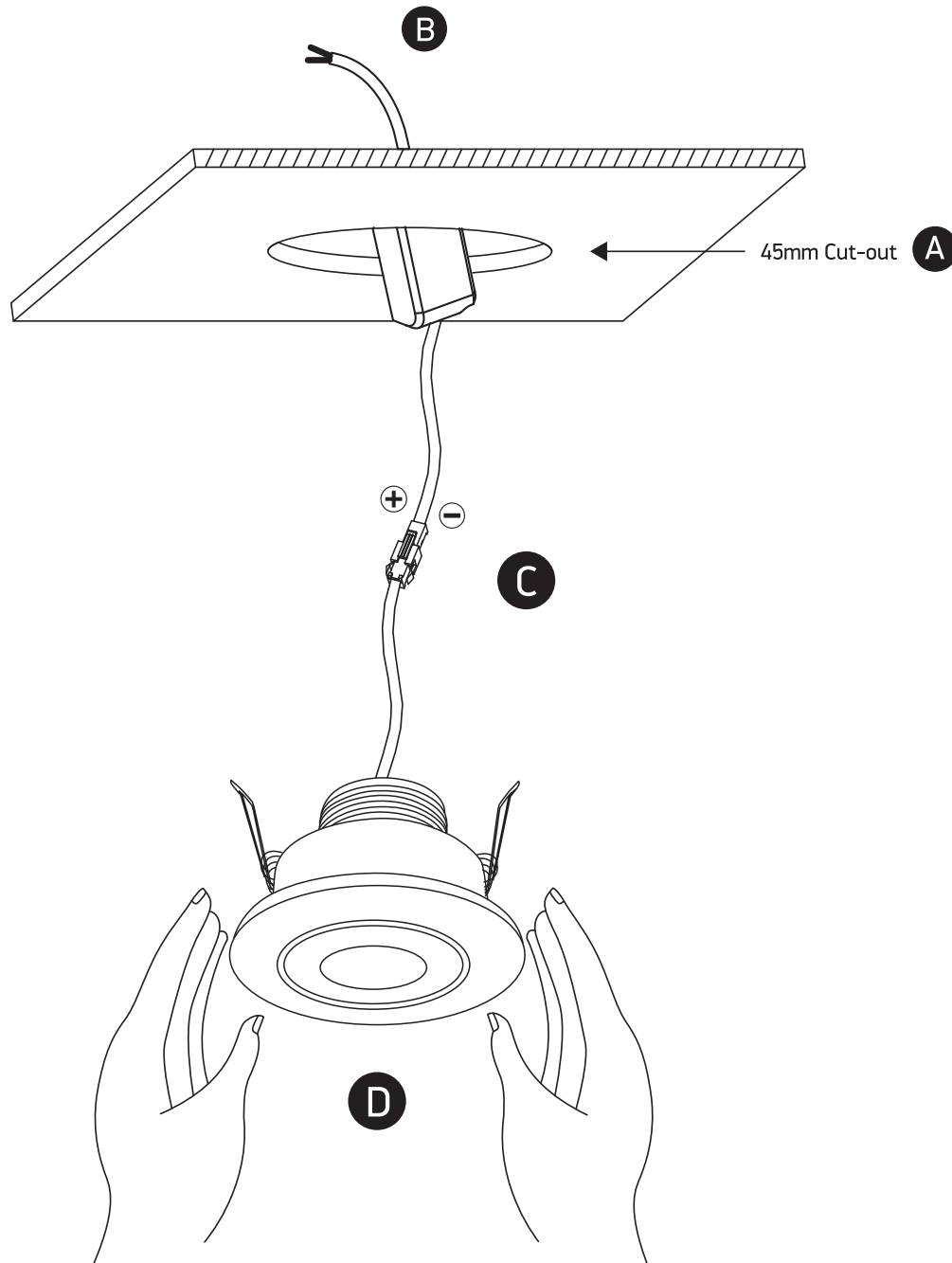


60mm



40cm

one
LIGHT



Warnings:

1. Make sure that the product is installed properly before connecting to electricity.
2. Do not cover the fitting.
3. Maintenance and installation should only be carried out by a professional electrician.