

INSTALLATION MANUAL

10148PE

ecopanel



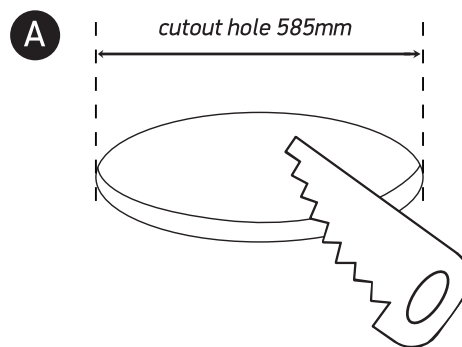
80
CRI



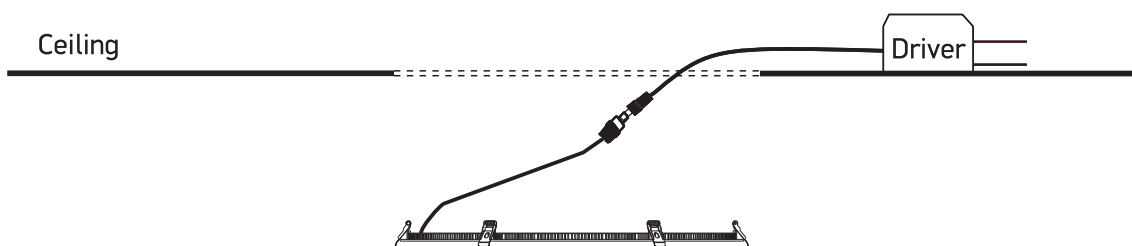
1200mA | SMD 2835 | 48W | IP20 | Die cast
Requires 1200mA driver.



one
LIGHT



B Connect the driver with the plug provided.



C Install fitting using springs supplied.



Warnings:

1. Make sure that the product is installed properly before connecting to electricity.
2. Do not cover the fitting.
3. Maintenance and installation should only be carried out by a professional electrician.