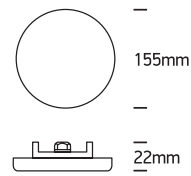


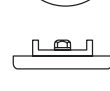
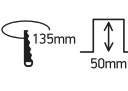
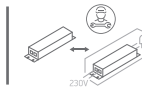
# INSTALLATION MANUAL

## 10115CF

**ecodownlight**

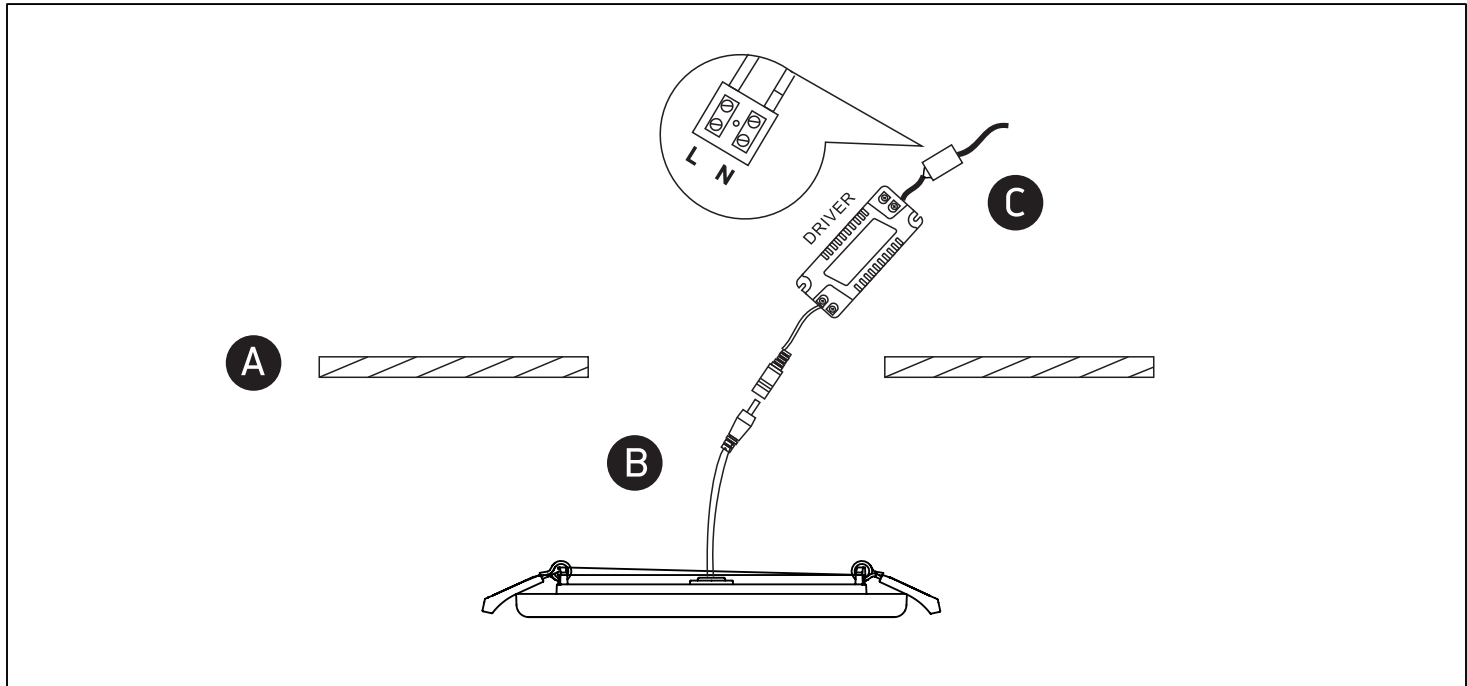


230V | SMD 4014 | 15W | IP65 | Die cast + opal diffuser  
Complete with 500mA driver.

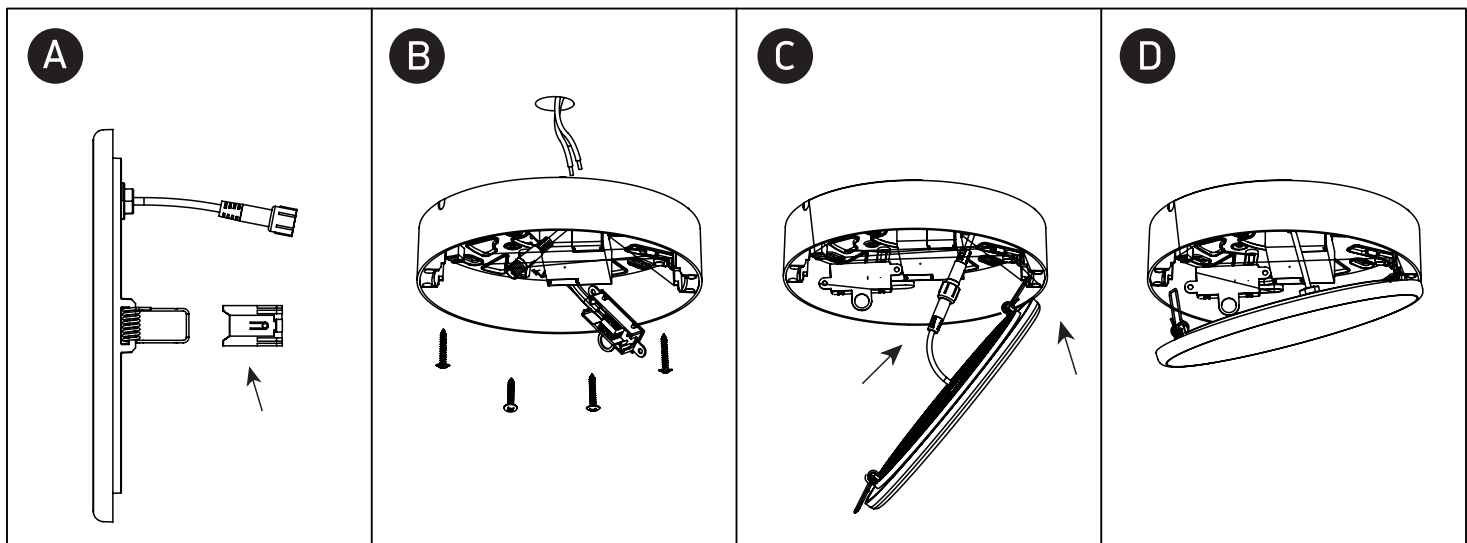


**one**  
LIGHT

### RECESSED INSTALLATION



### SURFACED INSTALLATION



\*IP65 is the protection degree for recessed installation. For surface installation is IP40.

#### Warnings:

1. Make sure that the product is installed properly before connecting to electricity.
2. Do not cover the fitting.
3. Maintenance and installation should only be carried out by a professional electrician.