

# INSTALLATION MANUAL

10113M

**ecolight**



**DARK LIGHT**



82mm

350mA | 13W | IP20 | Shelf illumination | Die cast

Requires 350mA driver.

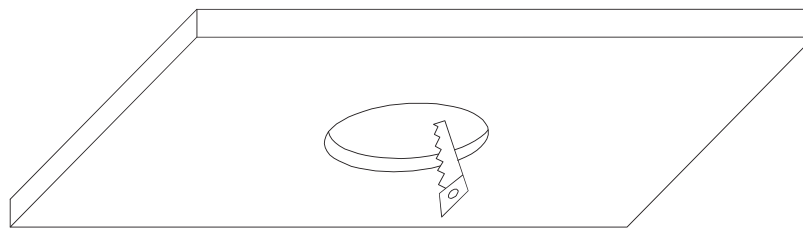
**80 CRI**



82mm

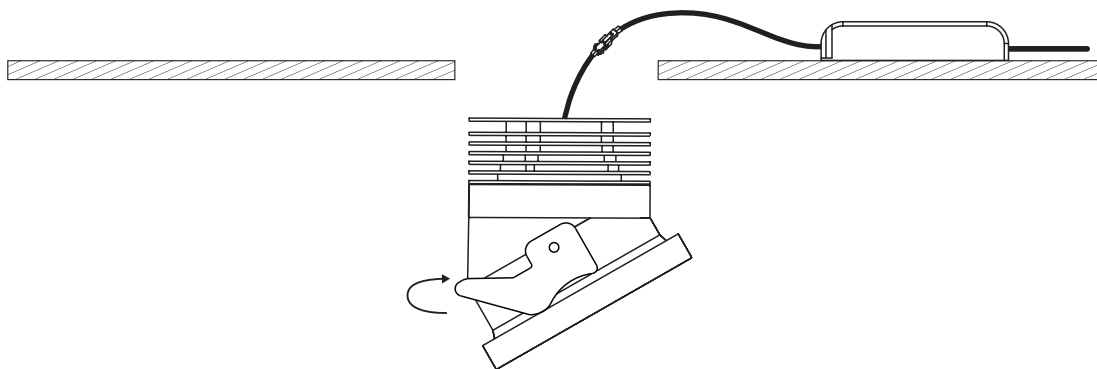
**one**  
LIGHT

**A**

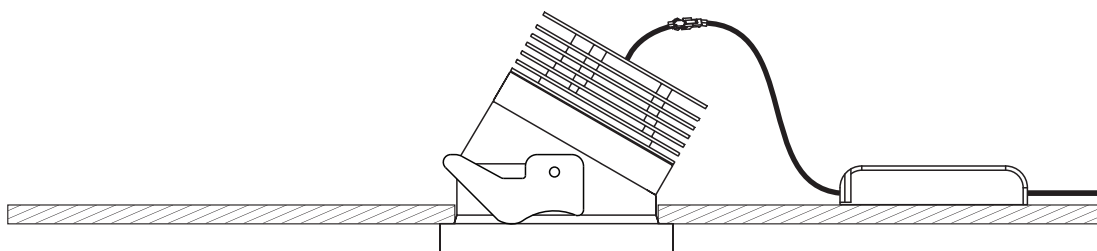


CUTOUT HOLE: 74mm

**B**



**C**



## Warnings:

1. Make sure that the product is installed properly before connecting to electricity.
2. Do not cover the fitting.
3. Maintenance and installation should only be carried out by a professional electrician.