

INSTALLATION MANUAL

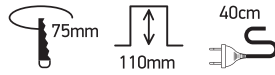
10112TP

ecolight

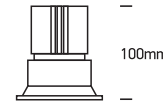


82mm

700mA | COB LED | 12W | IP65 | Die cast | Semi trimless
Requires 700mA driver.

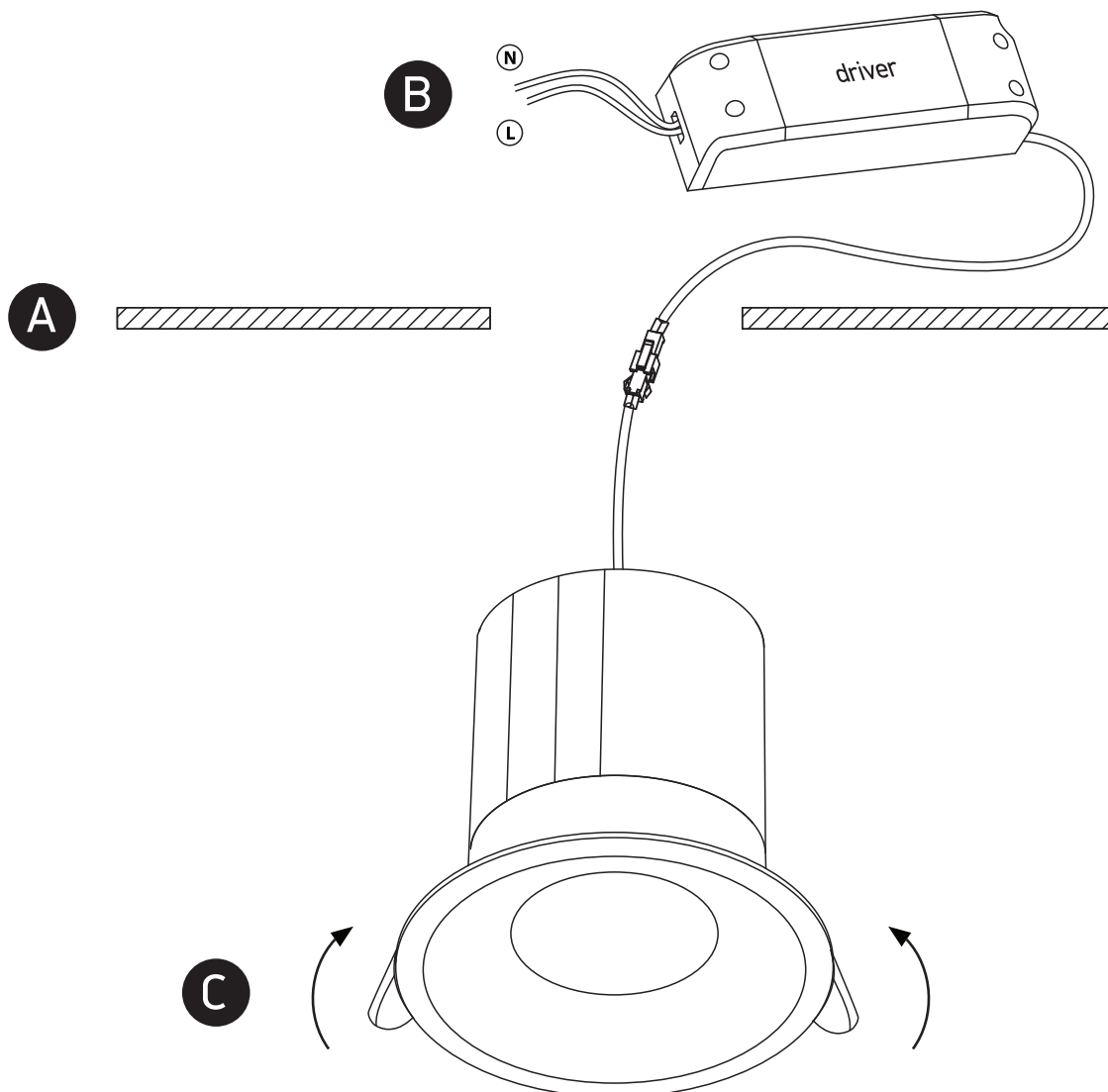


90
CRI



100mm

one
LIGHT



Warnings:

1. Make sure that the product is installed properly before connecting to electricity.
2. Do not cover the fitting.
3. Maintenance and installation should only be carried out by a professional electrician.