

INSTALLATION MANUAL

10112L

ecolight



DARK LIGHT

700mA | 12W | IP20 | Aluminium

Requires 700mA driver.

Reflector must be ordered separately.



80 CRI



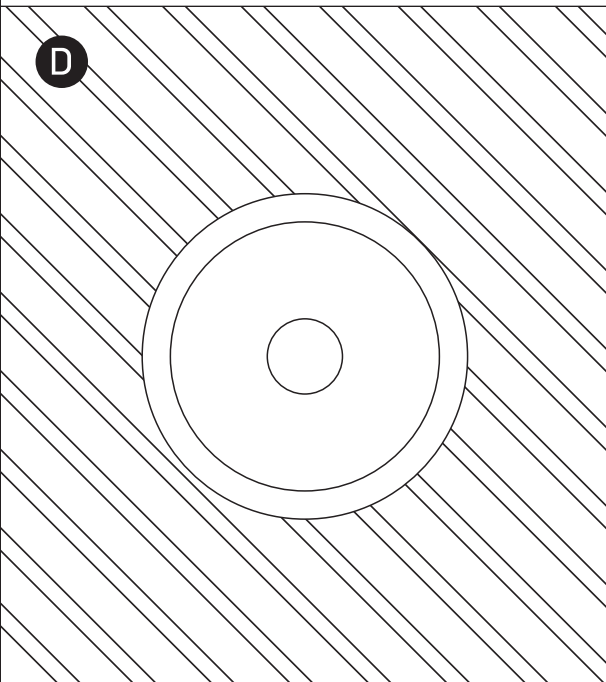
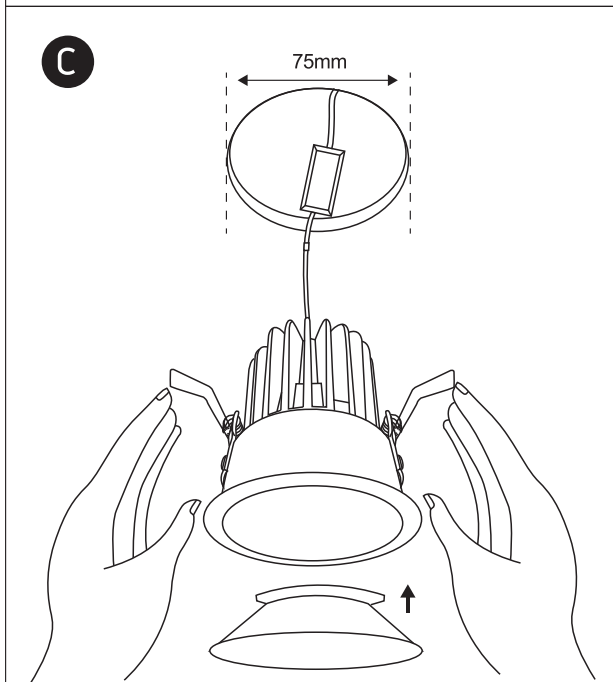
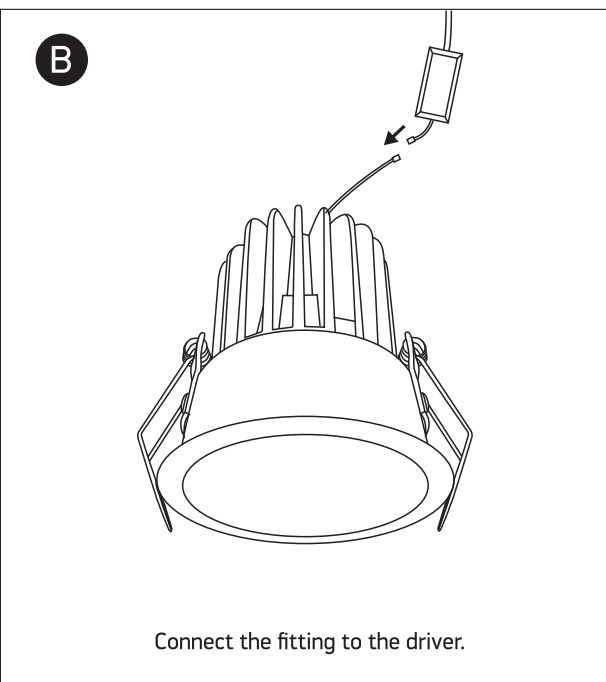
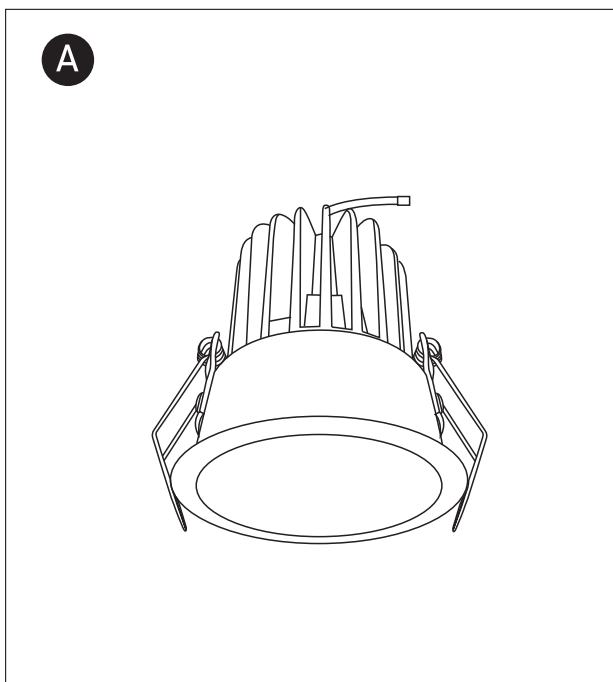
85mm



96mm



one
LIGHT



Warnings:

1. Make sure that the product is installed properly before connecting to electricity.
2. Do not cover the fitting.
3. Maintenance and installation should only be carried out by a professional electrician.