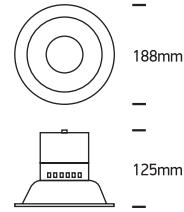


INSTALLATION MANUAL

10112KD

ecodownlight



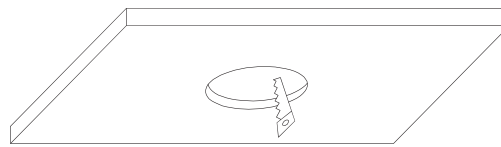
350mA | 12W | IP20 | Plastic

Requires 350mA driver



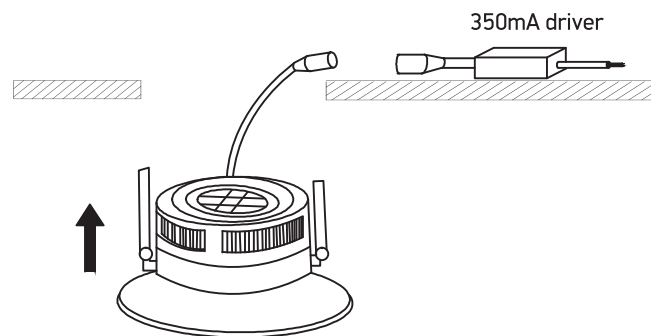
one
LIGHT

A

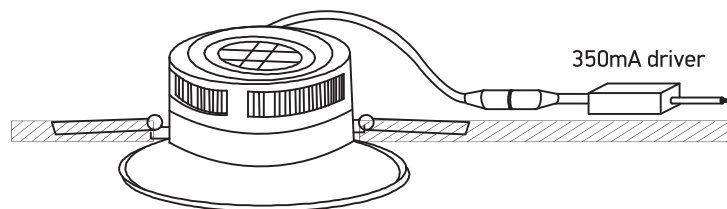


CUTOUT HOLE: 168mm

B



C



Warnings:

1. Make sure that the product is installed properly before connecting to electricity.
2. Do not cover the fitting.
3. Maintenance and installation should only be carried out by a professional electrician.