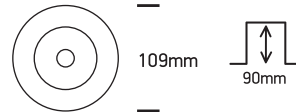


INSTALLATION MANUAL

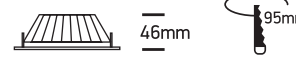
10110C

ecodownlight

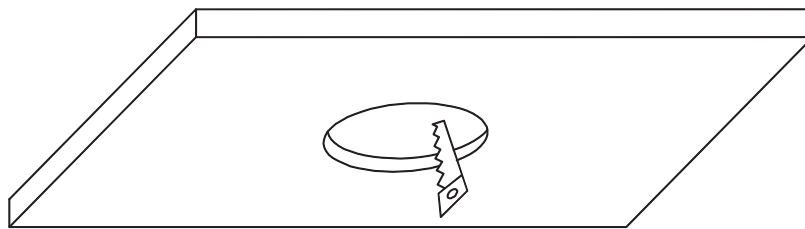


230V | 10W | IP20 | Aluminium

Complete with LED driver

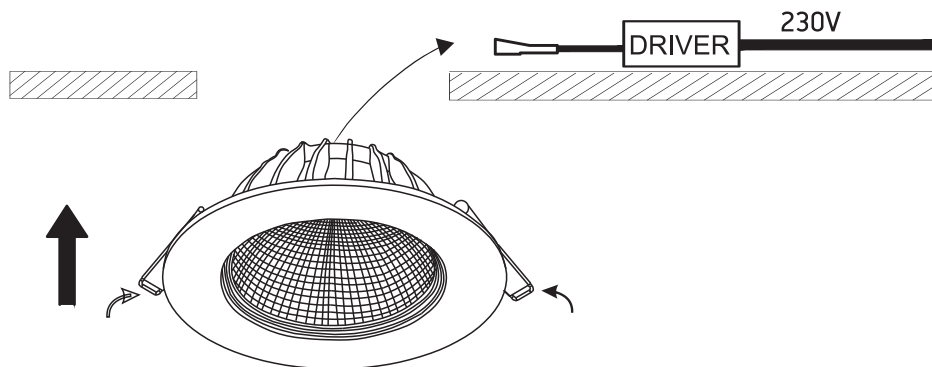


A

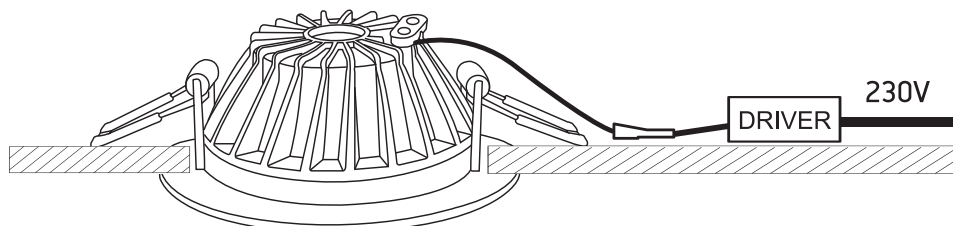


CUTOUT HOLE: 95mm

B



C



Warnings:

1. Make sure that the product is installed properly before connecting to electricity.
2. Do not cover the fitting.
3. Maintenance and installation should only be carried out by a professional electrician.