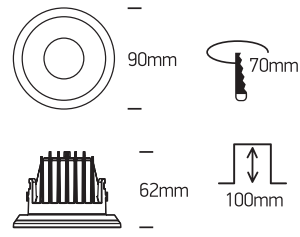


INSTALLATION MANUAL

10108J

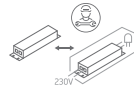
LED BUILT IN     DARK LIGHT

CE EAC UK CA   

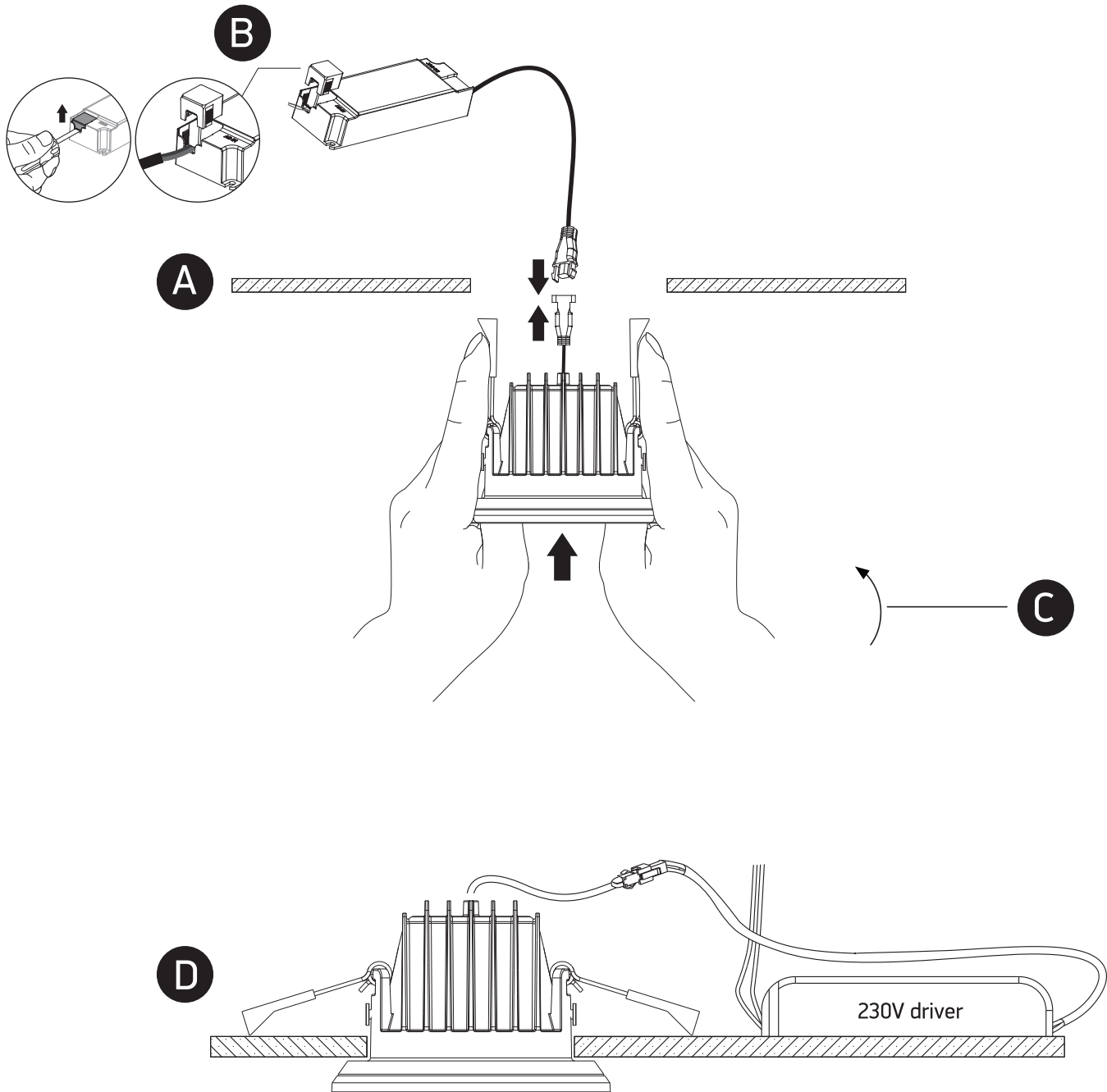


230V | COB + SMD 4014 | 8W | IP40 | Die cast
Complete with 200mA driver.

80
CRI



one
LIGHT



Warnings:

1. Make sure that the product is installed properly before connecting to electricity.
2. Do not cover the fitting.
3. Maintenance and installation should only be carried out by a professional electrician.