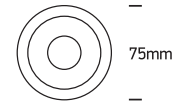


INSTALLATION MANUAL

10107Z

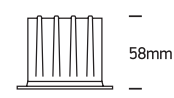
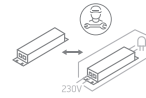
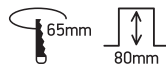
ecolight



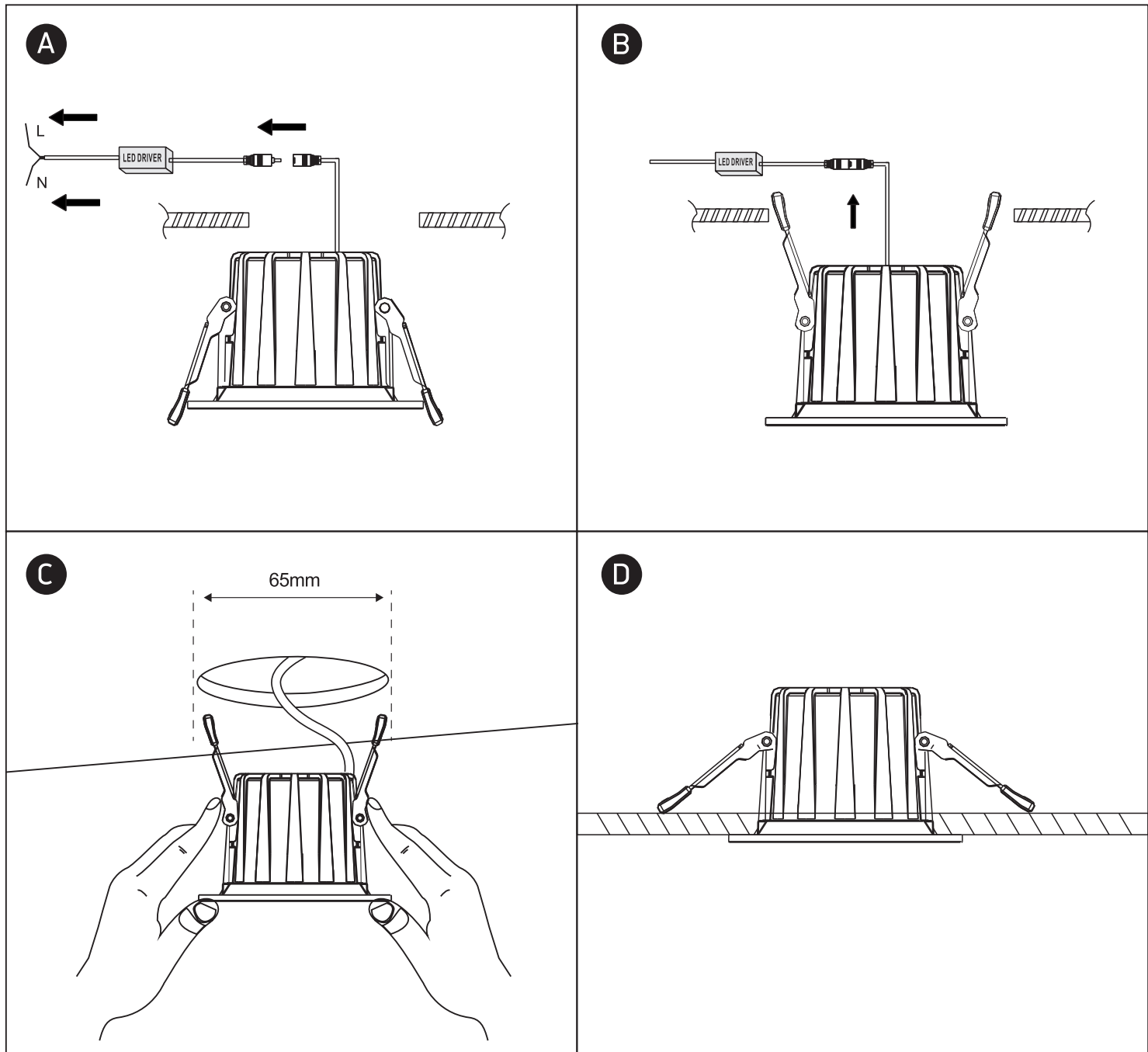
75mm

230V | 7W | IP20 | Die cast + plastic reflector
Complete with 160mA driver.

80
CRI



one
LIGHT



Warnings:

1. Make sure that the product is installed properly before connecting to electricity.
2. Do not cover the fitting.
3. Maintenance and installation should only be carried out by a professional electrician.