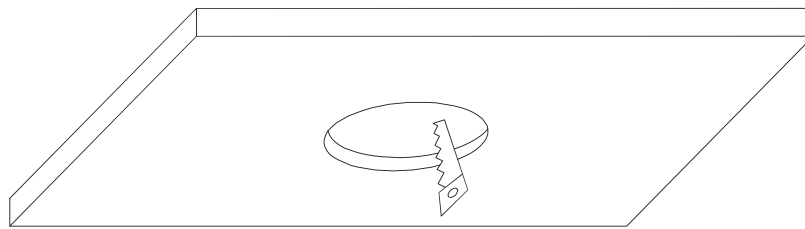


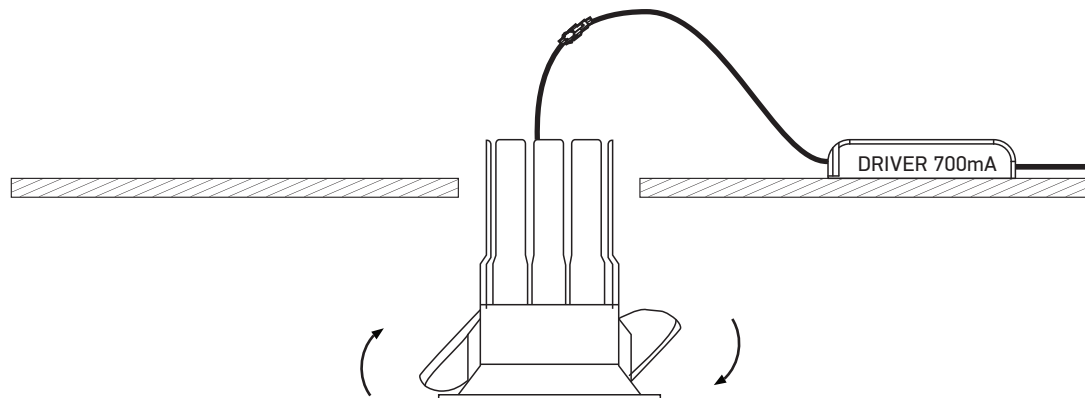
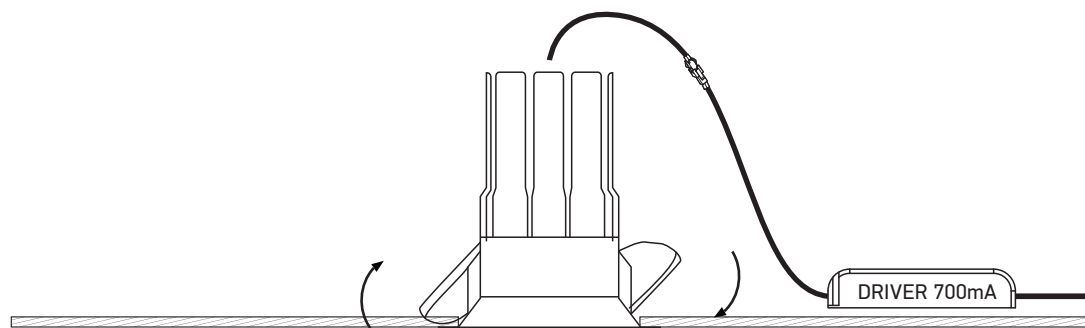
# INSTALLATION MANUAL

## 10107WP

<b>LED</b> BUILT IN				 DIMMABLE	<b>DARK LIGHT</b>  QUICK FIX	<b>CE EAC UK CA</b>	 RoHS COMPLIANT		 DIMMABLE	 67mm
700mA   COB LED   6.5W   IP65   Die cast Requires 700mA driver.		<b>90 CRI</b>	 56mm	 90mm	 40cm	 70mm				

**A**


CUTOUT HOLE: 56mm

**B**

**C**


### Warnings:

1. Make sure that the product is installed properly before connecting to electricity.
2. Do not cover the fitting.
3. Maintenance and installation should only be carried out by a professional electrician.