

# INSTALLATION MANUAL

## 10106X

**LED**  
BUILT IN



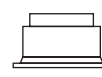
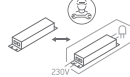
**DARK  
LIGHT**

**90  
CRI**



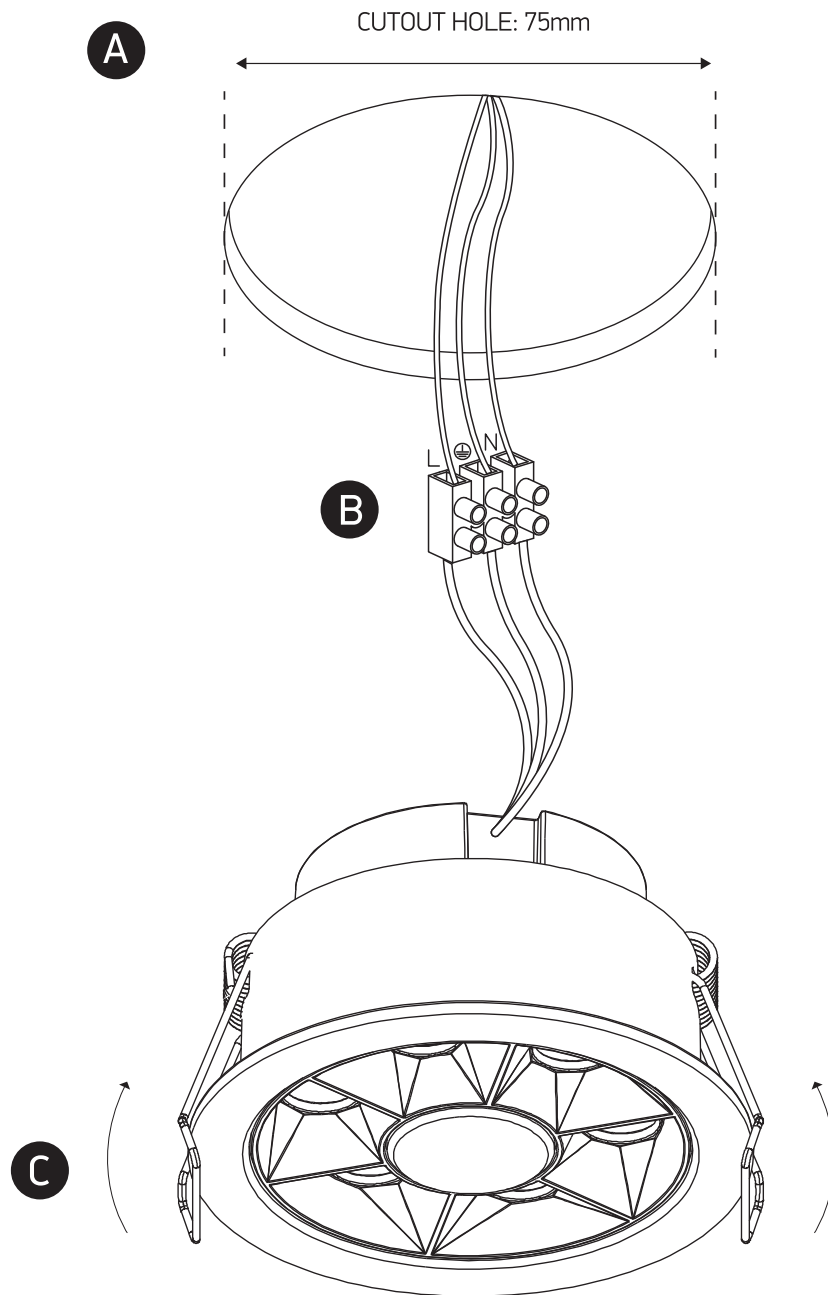
89mm

230V | SMD 3030 | 6W | IP20 | Aluminium  
Complete with 150mA driver.



48mm

**one**  
LIGHT



### Warnings:

1. Make sure that the product is installed properly before connecting to electricity.
2. Do not cover the fitting.
3. Maintenance and installation should only be carried out by a professional electrician.