

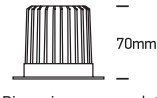
INSTALLATION MANUAL

10106PF

ecolight



83mm



70mm

Dimensions are complete with the ring.

350mA | 6W | IP65 | Fire rated | Die cast

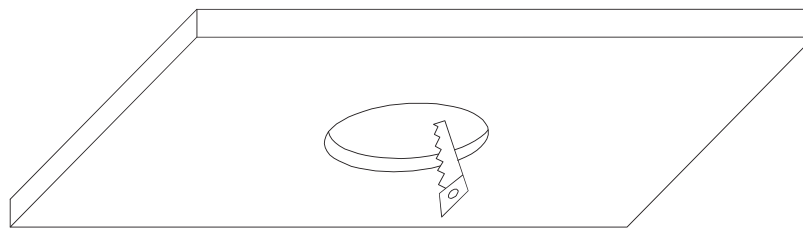
Requires 350mA driver.

80
CRI



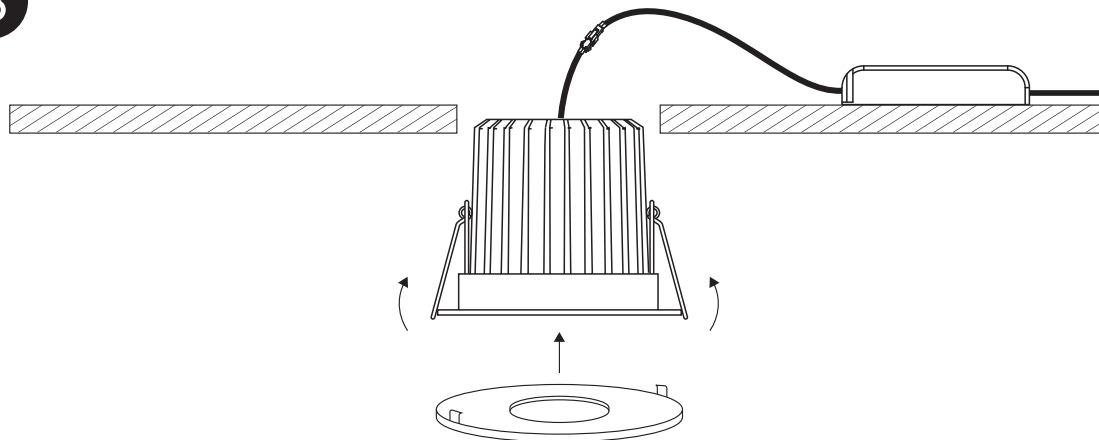
one
LIGHT

A



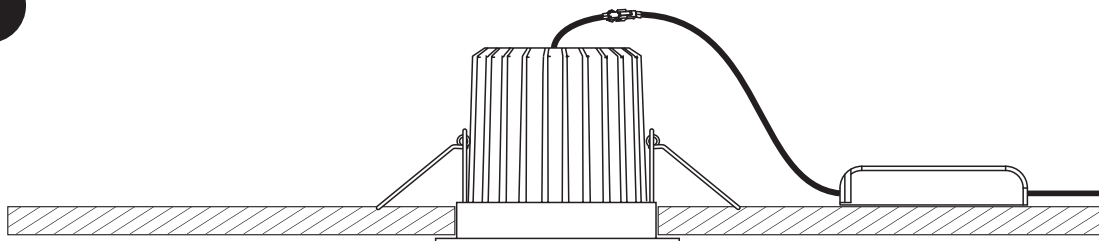
CUTOUT HOLE: 68mm

B



Adjust the ring.

C



Warnings:

1. Make sure that the product is installed properly before connecting to electricity.
2. Do not cover the fitting.
3. Maintenance and installation should only be carried out by a professional electrician.