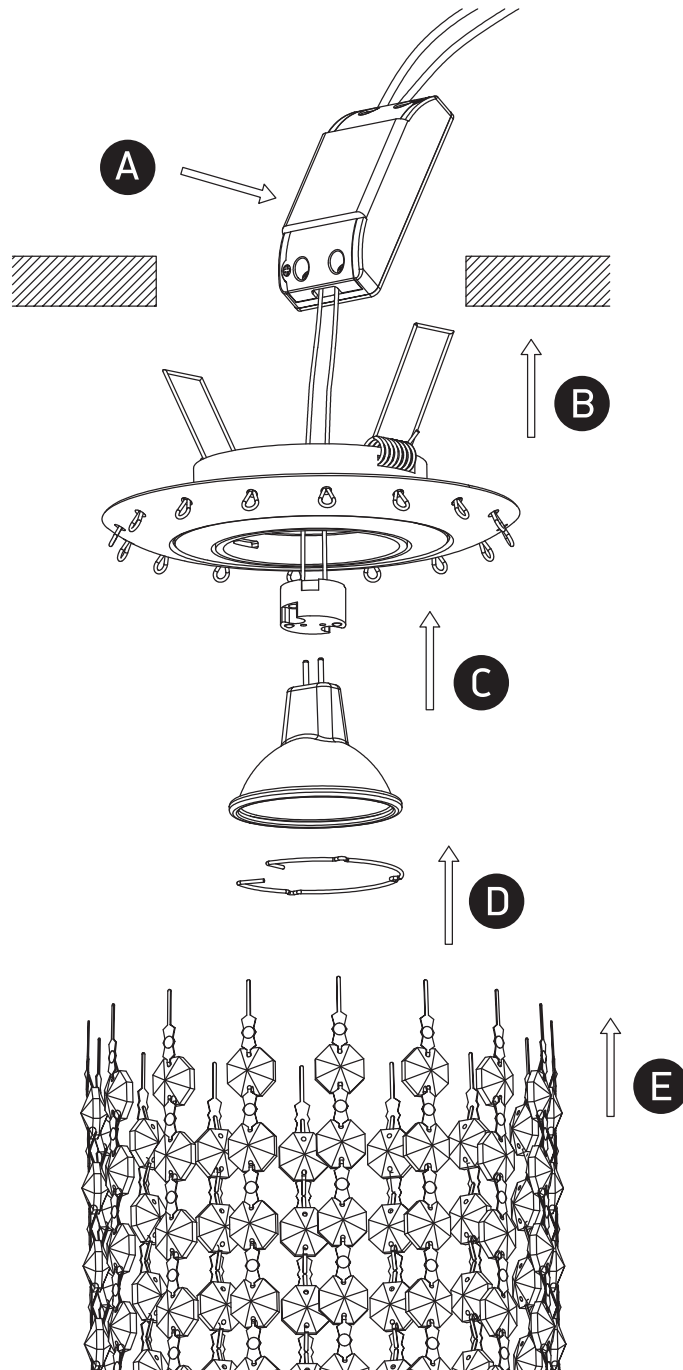
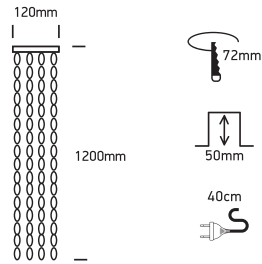


INSTALLATION MANUAL

10105C4



12V | MR16 | GU5.3 | 50W | IP20 | Die cast + crystal



Warnings:

1. Make sure that the product is installed properly before connecting to electricity.
2. Do not cover the fitting.
3. Maintenance and installation should only be carried out by a professional electrician.