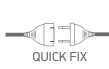


# INSTALLATION MANUAL

10103P

**ecolight**



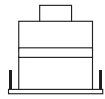
700mA | 3W | IP65 | Natural aluminium

Requires 700mA driver

Recommended driver 89004A



46mm

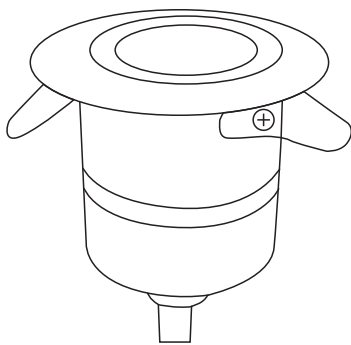


46mm

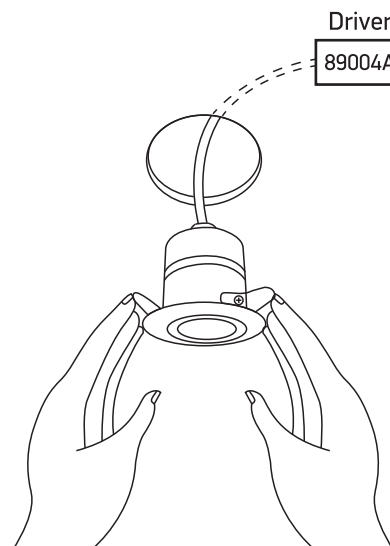


**one**  
LIGHT

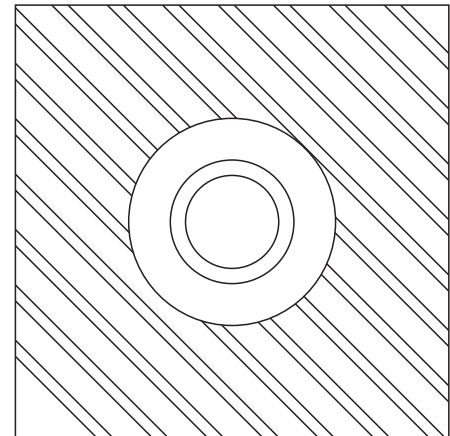
**A**



**B**



**C**



## Warnings:

1. Make sure that the product is installed properly before connecting to electricity.
2. Do not cover the fitting.
3. Maintenance and installation should only be carried out by a professional electrician.