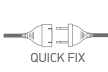


# INSTALLATION MANUAL

## 10103M

**ecolight**

**90  
CRI**

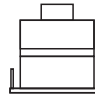
**700mA | COB LED | 3W | IP65 | Aluminium**

Requires 700mA driver.

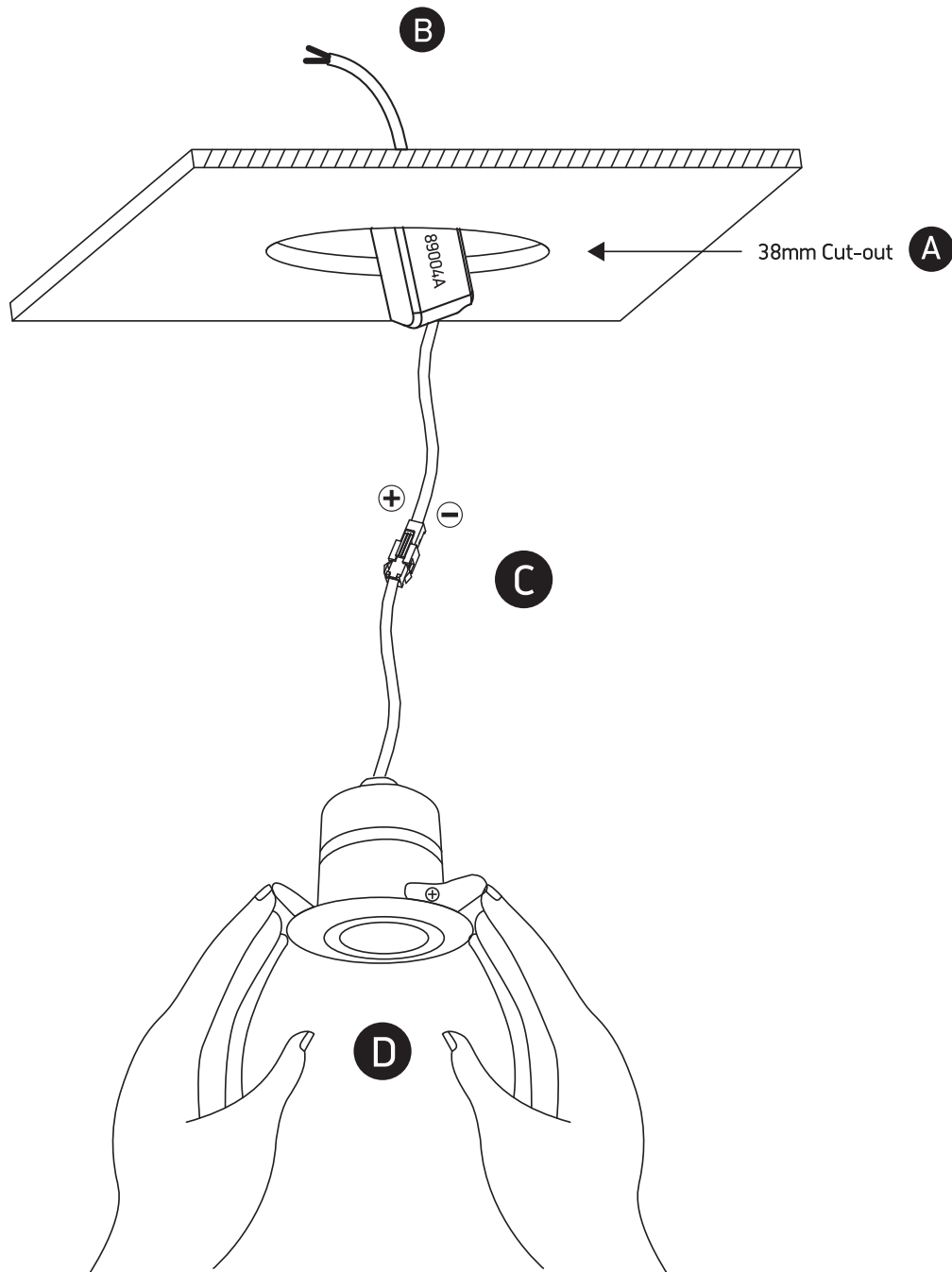
Recommended driver 89004A.



46mm



42mm


**one**  
LIGHT


### Warnings:

1. Make sure that the product is installed properly before connecting to electricity.
2. Do not cover the fitting.
3. Maintenance and installation should only be carried out by a professional electrician.