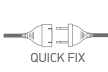


INSTALLATION MANUAL

10103M

ecolight

**90
CRI**

700mA | COB LED | 3W | IP65 | Aluminium

Requires 700mA driver.

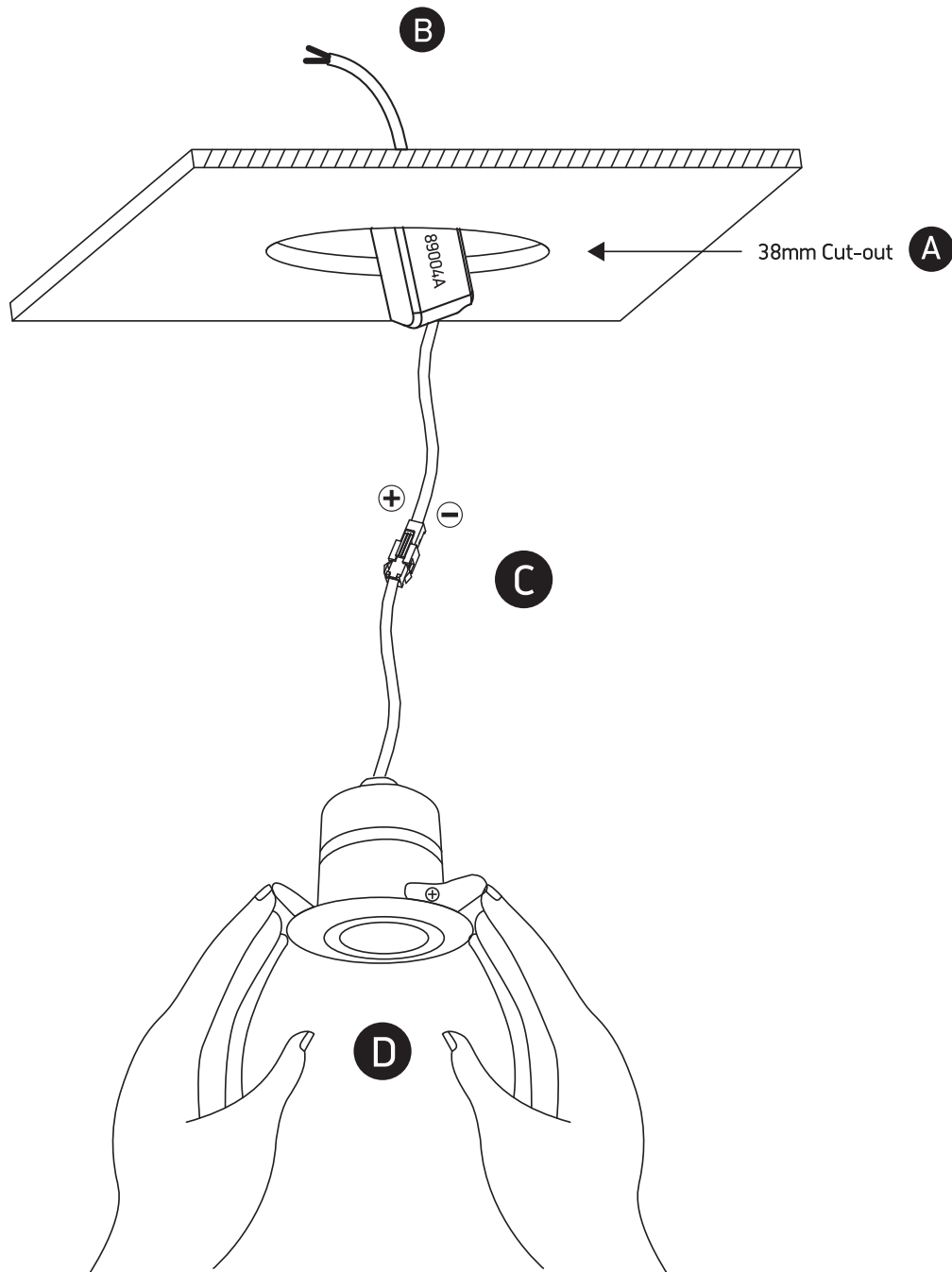
Recommended driver 89004A.



46mm



42mm


one
LIGHT


Warnings:

1. Make sure that the product is installed properly before connecting to electricity.
2. Do not cover the fitting.
3. Maintenance and installation should only be carried out by a professional electrician.