

# INSTALLATION MANUAL

## 10103E

**ecolight**



DARK LIGHT



90 CRI



350mA | COB LED | 3W | IP20 | Aluminium  
Requires 350mA driver.



50mm



52mm

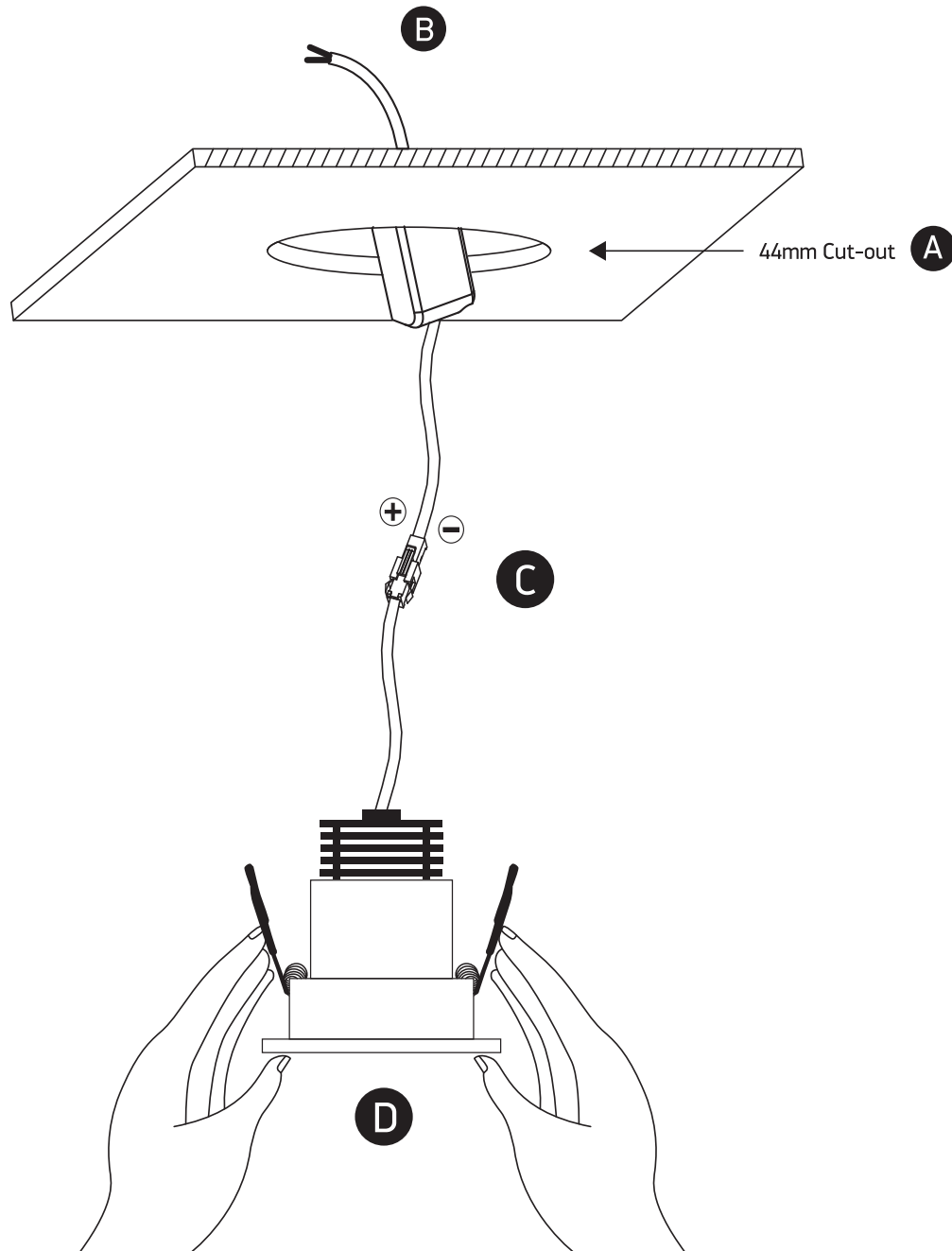


44mm

60mm

40cm

**one**  
LIGHT



### Warnings:

1. Make sure that the product is installed properly before connecting to electricity.
2. Do not cover the fitting.
3. Maintenance and installation should only be carried out by a professional electrician.