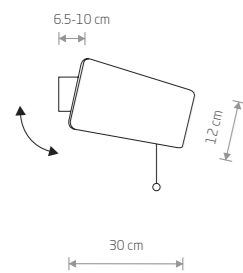




OSLO LED 7522

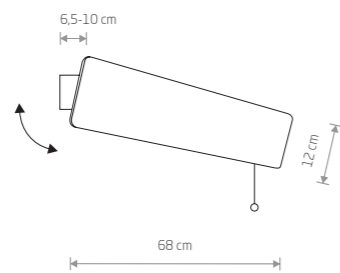


OSLO 30

wood, painted steel

9700

1xE14, max 40W

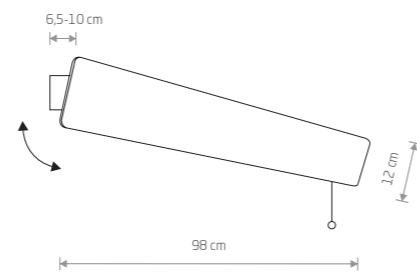


OSLO LED 60

wood, painted steel

7521 7517

1xLED TUBE T8, max 11W, included

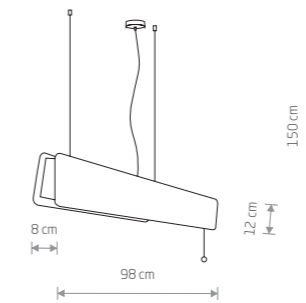


OSLO LED 90

wood, painted steel

7518

1xLED TUBE T8, max 16W, included



OSLO LED 90

wood, painted steel

7522 7520

1xLED TUBE T8, max 16W, included

Name	Size	Power	Colour temp.	Luminous flux	Beam angle	Colour Rendering Index (CRI)	Input	Power factor	LED driver	Lifetime	Material
LED TUBE T8	60 cm	11W LED	3000K	1700 lm	120 °	≥80	220-230 V, 50/60 Hz	>0,5	INCL	30000h	CLEAR GLASS
LED TUBE T8	90 cm	16W LED	3000K	2300 lm	120 °	≥80	220-230 V, 50/60 Hz	>0,5	INCL	30000h	CLEAR GLASS

OAK SMOKED OAK WHITE P004 RAL 9003

OAK SMOKED OAK WHITE P004 RAL 9003