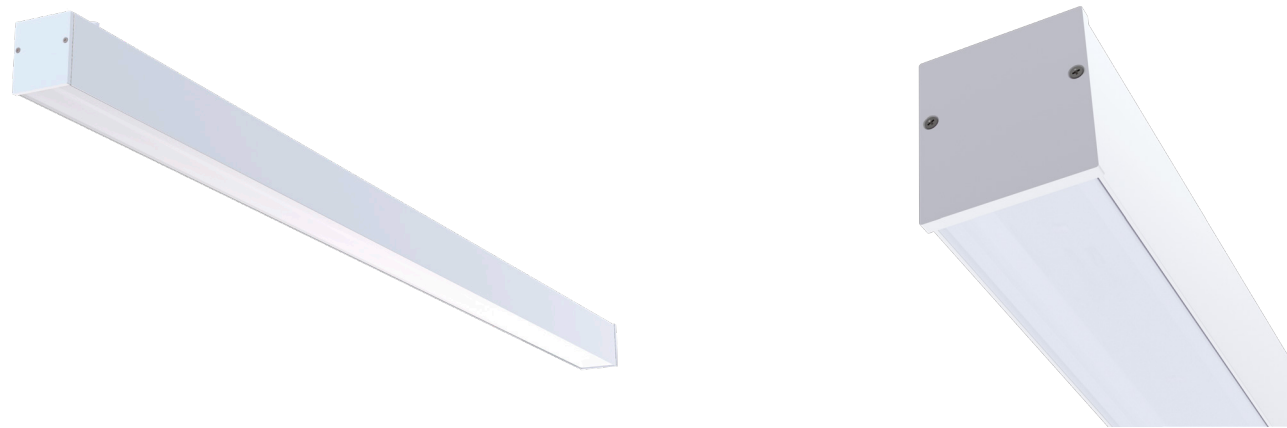
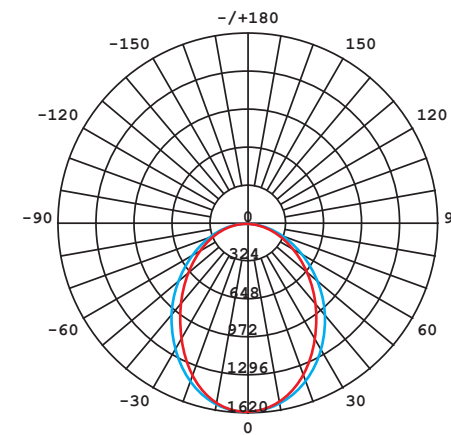


CL OFFICE PRO LED 120, 31W



LUMINOUS INTENSITY DISTRIBUTION DIAGRAM



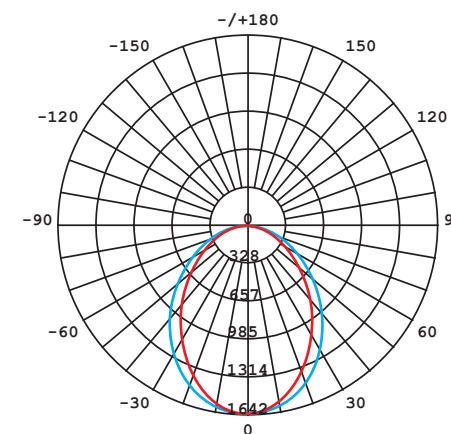
Luminous intensity [cd]
C0-C180 —
C90-C270 —

Beam cone diagram
Beam angle 90°

Distance [m]	Illuminance [lx] 3000K	Diameter [m]
1 m	1604	1,95
2 m	401	3,90
3 m	178	5,85
4 m	100	7,79
5 m	64	9,74
6 m	45	11,69
7 m	33	13,64

8298, 31W, 3000K, beam angle 90°

LUMINOUS INTENSITY DISTRIBUTION DIAGRAM



Luminous intensity [cd]
C0-C180 —
C90-C270 —

Beam cone diagram
Beam angle 90°

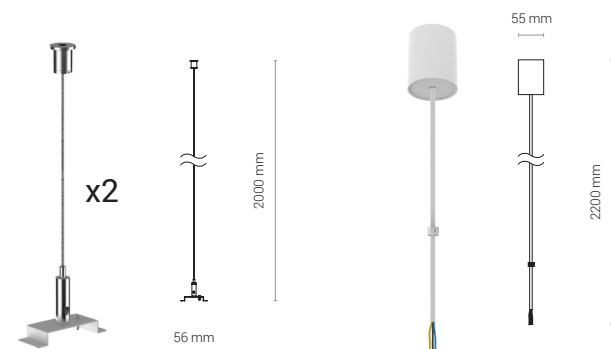
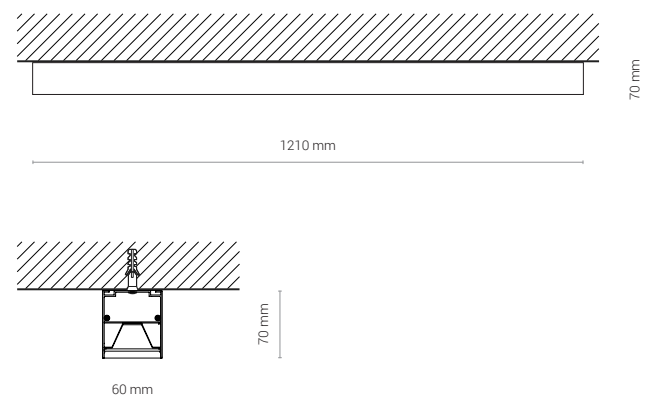
Distance [m]	Illuminance [lx] 4000K	Diameter [m]
1 m	1626	1,94
2 m	407	3,88
3 m	181	5,83
4 m	102	7,77
5 m	65	9,71
6 m	45	11,65
7 m	33	13,60

8297, 31W, 4000K, beam angle 90°

CL OFFICE PRO LED 120

aluminium / aluminum / алюминий

- 8298 ○ WH - 3000K 8300 ● BL - 3000K
- 8296 ○ WH - 4000K 8297 ● BL - 4000K



CL OFFICE PRO / HALL PRO SUSPENSION KIT

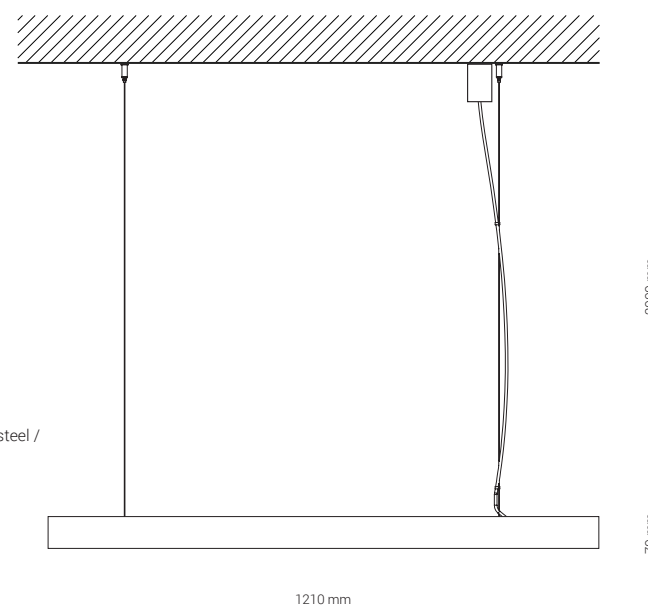
stal / steel / сталь

- 8291 ○ WH
- 8250 ● BL

CL OFFICE PRO / HALL PRO POWER SUPPLY KIT

przewód, stal lakierowana / wire, painted steel / проволока, лакированная сталь

- 8290 ○ WH
- 8288 ● BL



Item No.	POWER	COLOUR TEMP.	LUMEN	BEAM ANGLE	CRI	IP	LED BRAND	DRIVER BRAND	LIFETIME	WARRANTY
8298	31W	3000K	3760	90°	≥80	52	PHILIPS	PHILIPS	50000h	5 YEARS
8296	31W	4000K	4160	90°	≥80	52	PHILIPS	PHILIPS	50000h	5 YEARS
8300	31W	3000K	3490	90°	≥80	52	PHILIPS	PHILIPS	50000h	5 YEARS
8297	31W	4000K	3610	90°	≥80	52	PHILIPS	PHILIPS	50000h	5 YEARS