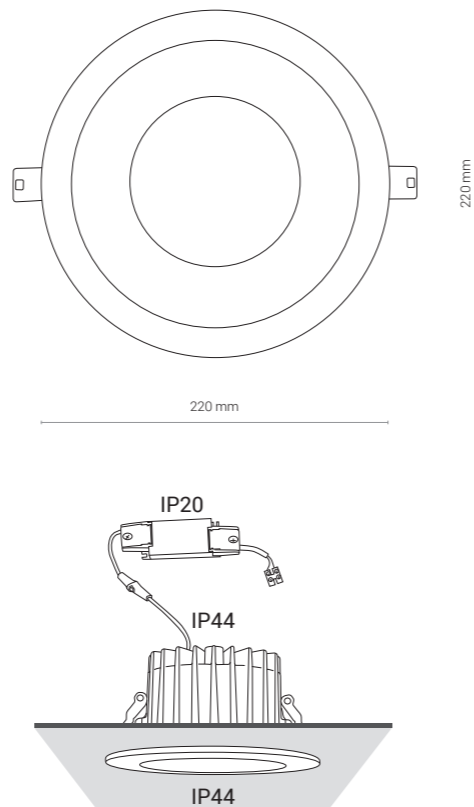
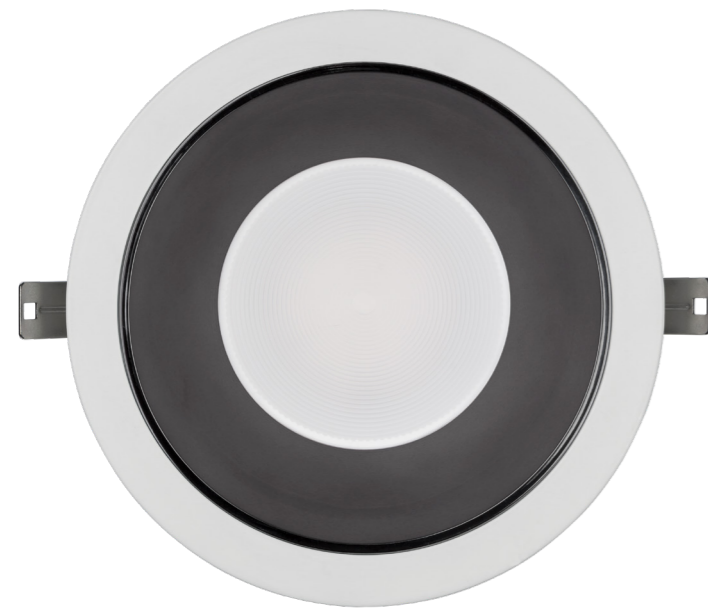
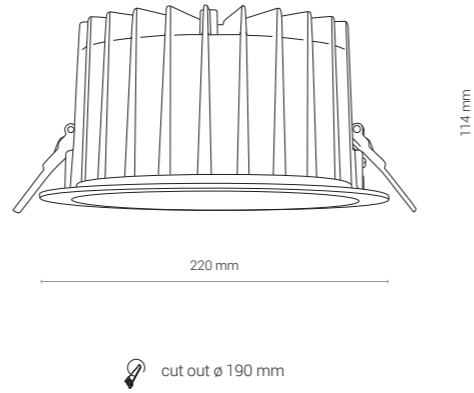


CL KEA LED 40W



CL KEA LED 40W

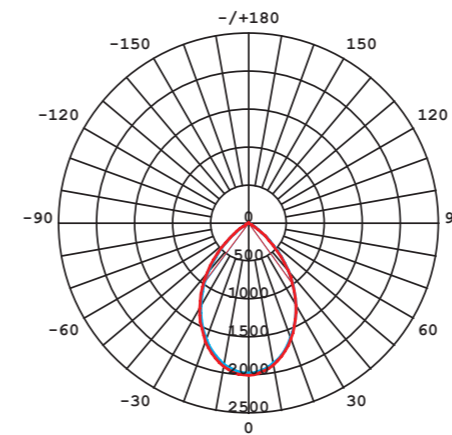
aluminium, PC / aluminum, PC / алюминий, PC

8768 WH - 3000K

8767 WH - 4000K

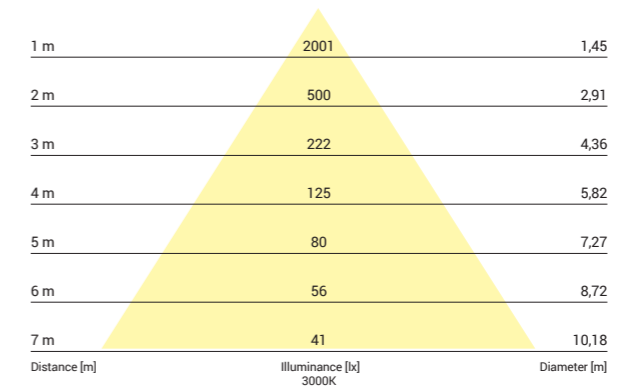
| Item No. | POWER | COLOUR TEMP. | LUMEN | BEAM ANGLE | CRI | IP | LED BRAND | DRIVER BRAND | LIFETIME | WARRANTY |
|----------|-------|--------------|-------|------------|-----|---------|-----------|--------------|----------|----------|
| 8768 | 40W | 3000K | 2700 | 65° | ≥90 | 44 / 20 | SAMSUNG | OSRAM | 50000h | 5 YEARS |
| 8767 | 40W | 4000K | 2700 | 65° | ≥90 | 44 / 20 | SAMSUNG | OSRAM | 50000h | 5 YEARS |

LUMINOUS INTENSITY DISTRIBUTION DIAGRAM



Luminous intensity [cd]
 C0-C180 — (red line)
 C90-C270 — (blue line)

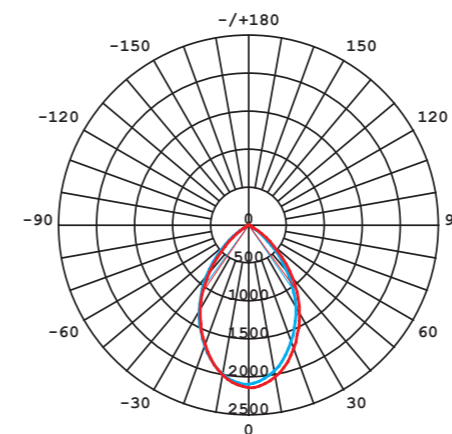
Beam cone diagram
 Beam angle 65°



8768, 40W, 3000K, beam angle 65°

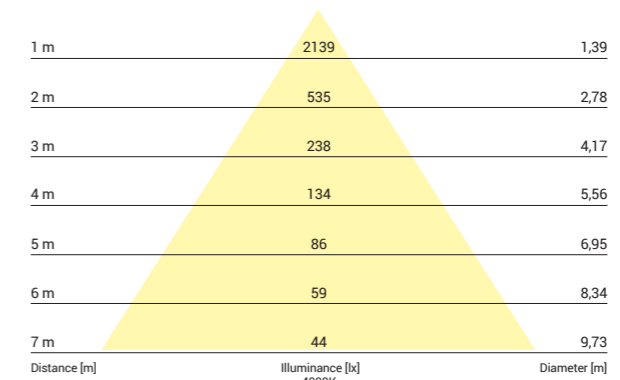


LUMINOUS INTENSITY DISTRIBUTION DIAGRAM



Luminous intensity [cd]
 C0-C180 — (red line)
 C90-C270 — (blue line)

Beam cone diagram
 Beam angle 65°



8767, 40W, 4000K, beam angle 65°

