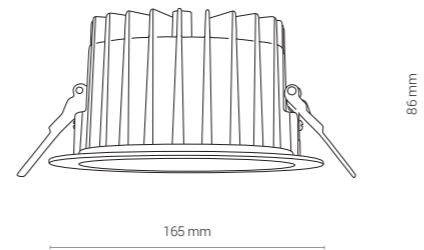
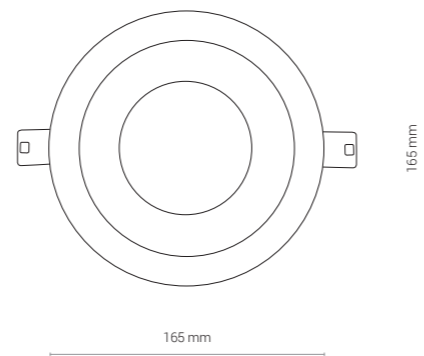


CL KEA LED 30W



cut out ϕ 140 mm

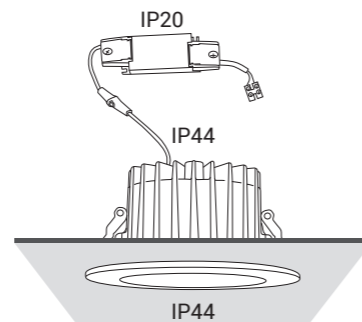


CL KEA LED 30W

aluminium, PC / aluminum, PC / алюминий, PC

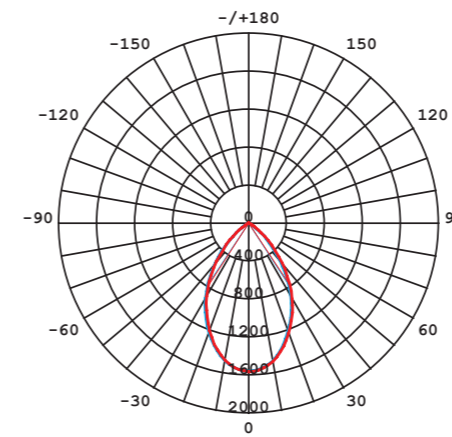
8771 WH - 3000K

8770 WH - 4000K



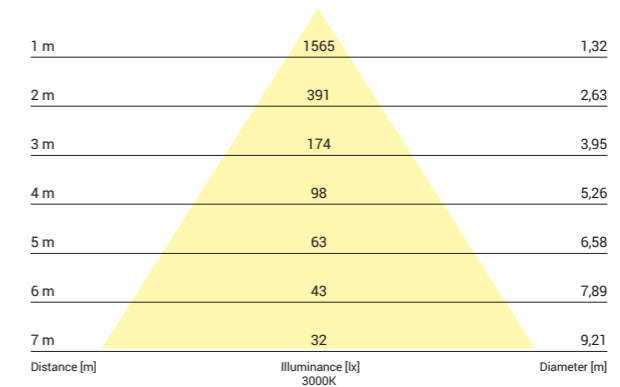
Item No.	POWER	COLOUR TEMP.	LUMEN	BEAM ANGLE	CRI	IP	LED BRAND	DRIVER BRAND	LIFETIME	WARRANTY
8771	30W	3000K	1850	65°	≥90	44 / 20	SAMSUNG	OSRAM	50000h	5 YEARS
8770	30W	4000K	1850	65°	≥90	44 / 20	SAMSUNG	OSRAM	50000h	5 YEARS

LUMINOUS INTENSITY DISTRIBUTION DIAGRAM



Luminous intensity [cd]
C0-C180 — (red line)
C90-C270 — (blue line)

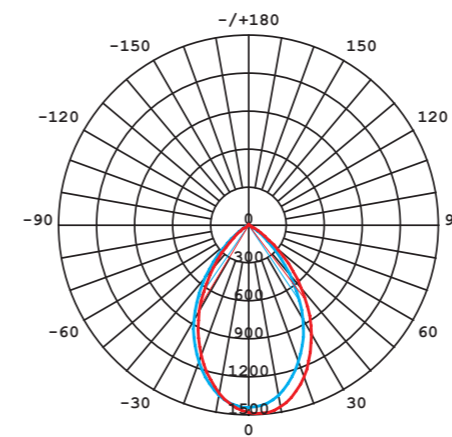
Beam cone diagram
Beam angle 65°



8771, 30W, 3000K, beam angle 65°

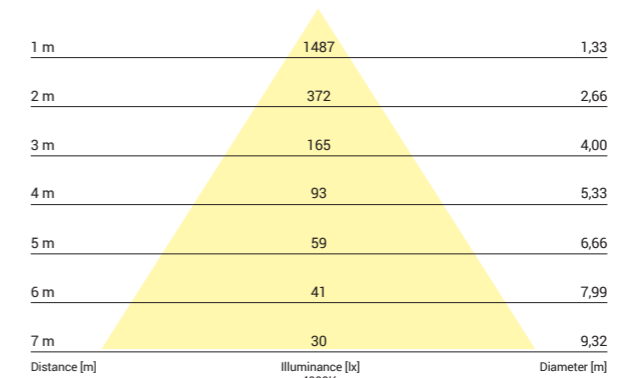


LUMINOUS INTENSITY DISTRIBUTION DIAGRAM



Luminous intensity [cd]
C0-C180 — (red line)
C90-C270 — (blue line)

Beam cone diagram
Beam angle 65°



8770, 30W, 4000K, beam angle 65°

