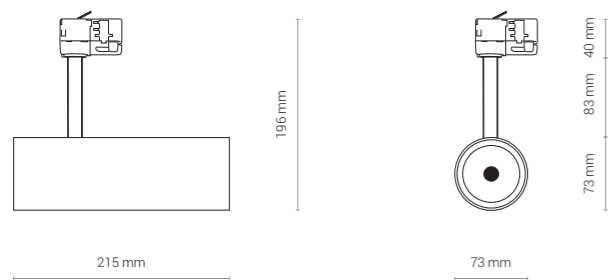


CTLS MILO LED 25W



ZESTAW ZAWIERA
3 SOCZEWKI
3 LENSES INCLUDED
В КОМПЛЕКТЕ 3 ЛИНЗЫ



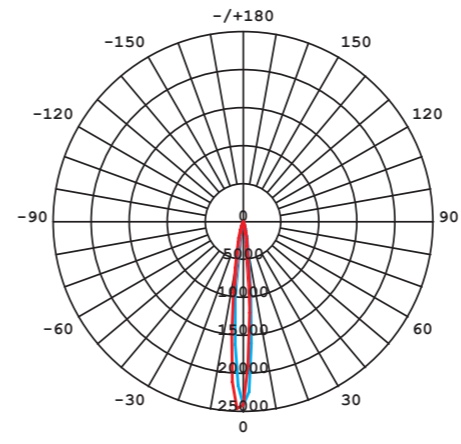
CTLS MILO LED 25W

aluminium / aluminum / алюминий

- 8762 ○ WH - 3000K 8760 ● BL - 3000K
- 8761 ○ WH - 4000K 8758 ● BL - 4000K

Item No.	POWER	COLOUR TEMP.	LUMEN	BEAM ANGLE	CRI	IP	LED BRAND	DRIVER BRAND	LIFETIME	WARRANTY
8762	25W	3000K	1900	11°, 21°, 31°	≥90	20	SAMSUNG	OSRAM	50000h	5 YEARS
8761	25W	4000K	1900	11°, 21°, 31°	≥90	20	SAMSUNG	OSRAM	50000h	5 YEARS
8760	25W	3000K	1900	11°, 21°, 31°	≥90	20	SAMSUNG	OSRAM	50000h	5 YEARS
8758	25W	4000K	1900	11°, 21°, 31°	≥90	20	SAMSUNG	OSRAM	50000h	5 YEARS

LUMINOUS INTENSITY DISTRIBUTION DIAGRAM



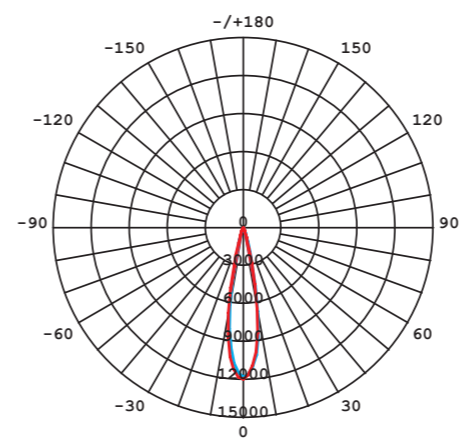
Beam cone diagram
Beam angle 11°

Distance [m]	Illuminance [lx] 3000K/4000K	Diameter [m]
1 m	24568	0,19
2 m	6142	0,38
3 m	2730	0,57
4 m	1535	0,76
5 m	983	0,95
6 m	682	1,14
7 m	501	1,33



8758, 8760, 8761, 8762, 25W, 3000K, 4000K, beam angle 11°

LUMINOUS INTENSITY DISTRIBUTION DIAGRAM



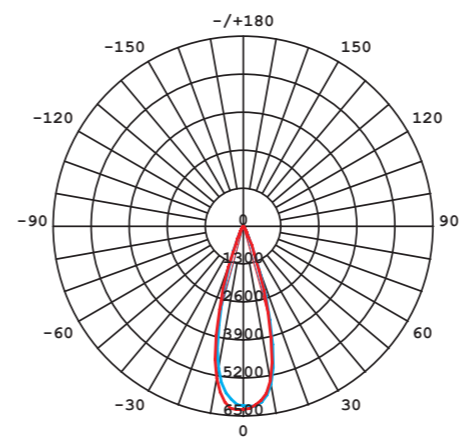
Beam cone diagram
Beam angle 21°

Distance [m]	Illuminance [lx] 3000K/4000K	Diameter [m]
1 m	11972	0,37
2 m	2993	0,74
3 m	1330	1,11
4 m	748	1,47
5 m	479	1,84
6 m	333	2,21
7 m	244	2,58



8758, 8760, 8761, 8762, 25W, 3000K, 4000K, beam angle 21°

LUMINOUS INTENSITY DISTRIBUTION DIAGRAM



Beam cone diagram
Beam angle 31°

Distance [m]	Illuminance [lx] 3000K/4000K	Diameter [m]
1 m	6273	0,56
2 m	1568	1,11
3 m	697	1,67
4 m	392	2,22
5 m	251	2,78
6 m	174	3,33
7 m	128	3,89



8758, 8760, 8761, 8762, 25W, 3000K, 4000K, beam angle 31°