
LUMINAIRE PHOTOMETRIC TEST REPORT

8756 CTLS NEA LED WHITE 20W, 4000K, ANGLE15°



Description Lines

Manufacturer:	NOWODVORSKI LIGHTING
Model name:	8756 CTLS NEA LED WHITE 20W,4000K,ANGLE15
File name:	8756 CTLS NEA LED WHITE 20W,4000K,ANGLE15.ltd
Date:	2019-08-19
Report number:	EF 19/08/2019/40; EF 12/12/2019/41
Length:	150 mm
Width:	63 mm
Height:	195 mm
IP rating:	IP 20
Protection class:	I
Dimmable:	No

Equipment

Test system:	EVERFINE GO-2000B_V1 SYSTEM V2.00.417
Temperature:	25 +/-1 °C
Humidity:	65.0%
γ interval:	2 deg
C interval:	10 deg
γ range:	0-180 deg
Measurement distance:	6.56 m

Nowodvorski sp. j.

ul. Bojemskiego 11, 42-202 Częstochowa, POLSKA, NIP: PL 5731015208

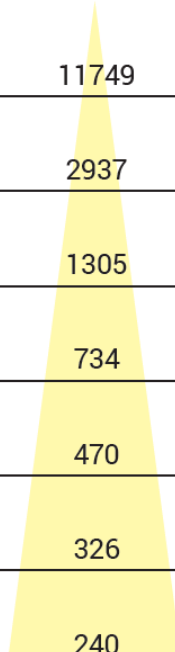
Tel. +48 34 344 91 10, 344 91 11, fax +48 34 344 91 12

www.nowodvorski.com

Photometric data

Total luminous flux:	1701.9 lm
Color temperature:	3918 K
x:	0.3853
y:	0.3831
Color rendering index:	93.3
Wattage:	19.25 W
U	229.71 V
I	0.0859 A
Power factor:	0.9742
Luminous efficacy:	88.12 lm/W
Flux in lower hemisphere:	98.6%
Flux in upper hemisphere:	1.4%
Maximum luminous intensity:	11770 cd
Light output ratio (LOR):	100.00%

Beam cone diagram Beam angle 15°



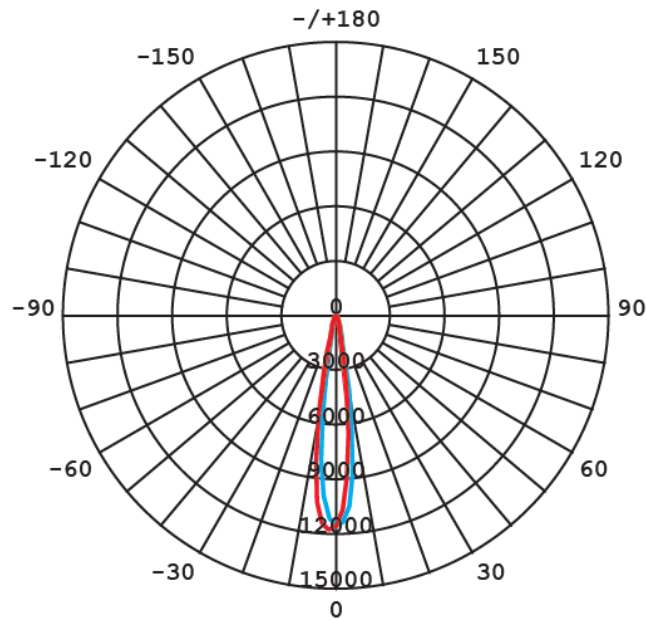
1 m	11749	0,29
2 m	2937	0,57
3 m	1305	0,86
4 m	734	1,14
5 m	470	1,43
6 m	326	1,72
7 m	240	2,00
Distance [m]	Illuminance [lx] 3000K/4000K	Diameter [m]

Nowodvorski sp. j.

ul. Bojemskiego 11, 42-202 Częstochowa, POLSKA, NIP: PL 5731015208
Tel. +48 34 344 91 10, 344 91 11, fax +48 34 344 91 12

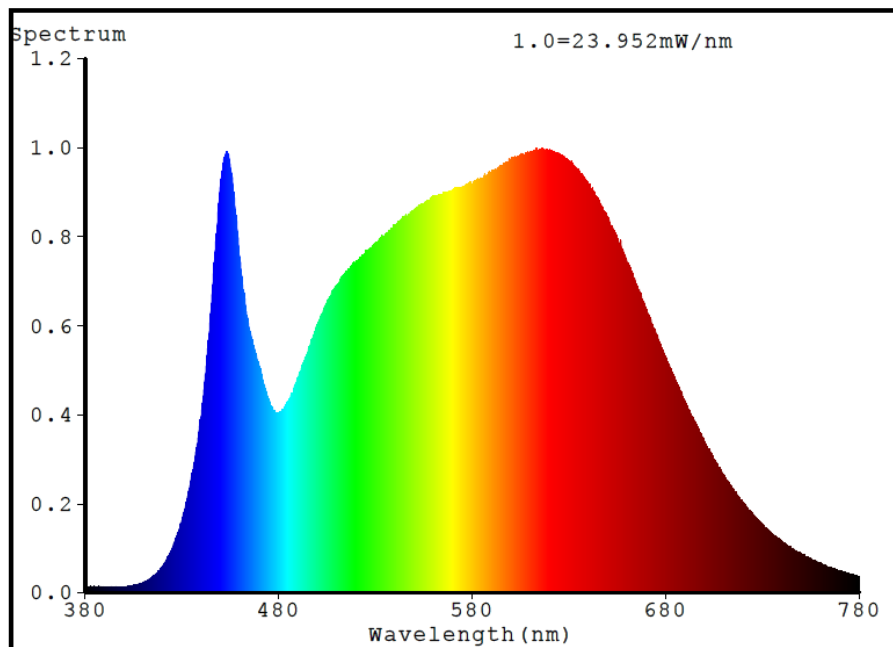
www.nowodvorski.com

LUMINOUS INTENSITY DISTRIBUTION DIAGRAM



Luminous intensity [cd]
 C0-C180 ———— (red line)
 C90-C270 ———— (blue line)

Spectral distribution



Nowodvorski sp. j.
 ul. Bojemskiego 11, 42-202 Częstochowa, POLSKA, NIP: PL 5731015208
 Tel. +48 34 344 91 10, 344 91 11, fax +48 34 344 91 12
www.nowodvorski.com

LUMINAIRE PHOTOMETRIC TEST REPORT

8756 CTLS NEA LED WHITE 20W, 4000K, ANGLE23°



Description Lines

Manufacturer:	NOWODVORSKI LIGHTING
Model name:	8756 CTLS NEA LED WHITE 20W,4000K,ANGLE23
File name:	8756 CTLS NEA LED WHITE 20W,4000K,ANGLE23.ltd
Date:	2019-08-19
Report number:	EF 19/08/2019/42; EF 12/12/2019/41
Length:	150 mm
Width:	63 mm
Height:	195 mm
IP rating:	IP 20
Protection class:	I
Dimmable:	No

Equipment

Test system:	EVERFINE GO-2000B_V1 SYSTEM V2.00.417
Temperature:	25 +/-1 °C
Humidity:	65.0%
γ interval:	2 deg
C interval:	10 deg
γ range:	0-180 deg
Measurement distance:	6.56 m

Nowodvorski sp. j.

ul. Bojemskiego 11, 42-202 Częstochowa, POLSKA, NIP: PL 5731015208

Tel. +48 34 344 91 10, 344 91 11, fax +48 34 344 91 12

www.nowodvorski.com

Nowodvorski

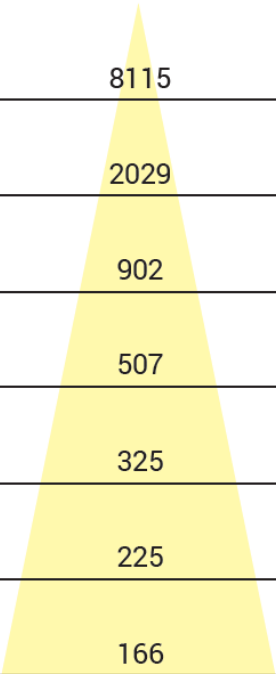
L I G H T I N G

Photometric data

Total luminous flux:	1668.84 lm
Color temperature:	3918 K
x:	0.3853
y:	0.3831
Color rendering index:	93.3
Wattage:	19.222 W
U	230.52 V
I	0.0856 A
Power factor:	0,9737
Luminous efficacy:	86.82 lm/W
Flux in lower hemisphere:	98.6%
Flux in upper hemisphere:	1.4%
Maximum luminous intensity:	8130 cd
Light output ratio (LOR):	100.00%

Beam cone diagram

Beam angle 23°



1 m	8115	0,38
2 m	2029	0,75
3 m	902	1,13
4 m	507	1,51
5 m	325	1,88
6 m	225	2,26
7 m	166	2,63
Distance [m]	Illuminance [lx] 3000K/4000K	Diameter [m]

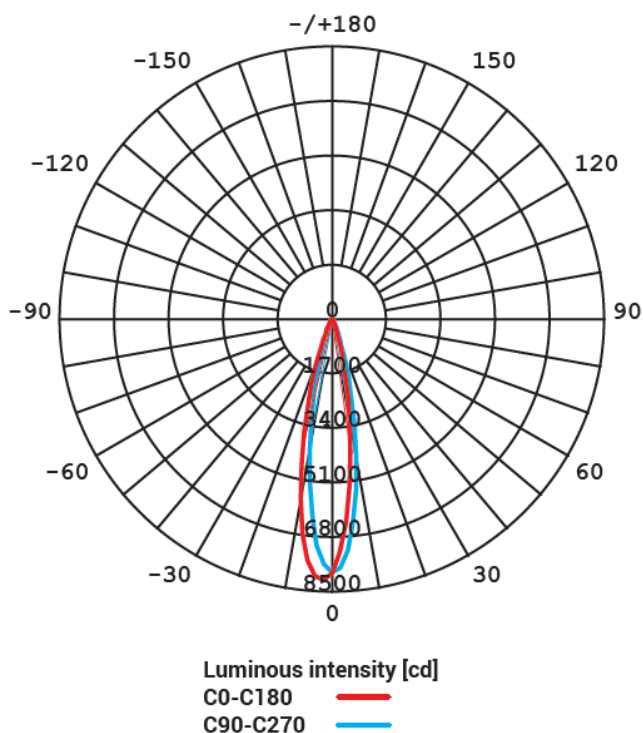
Nowodvorski sp. j.

ul. Bojemskiego 11, 42-202 Częstochowa, POLSKA, NIP: PL 5731015208

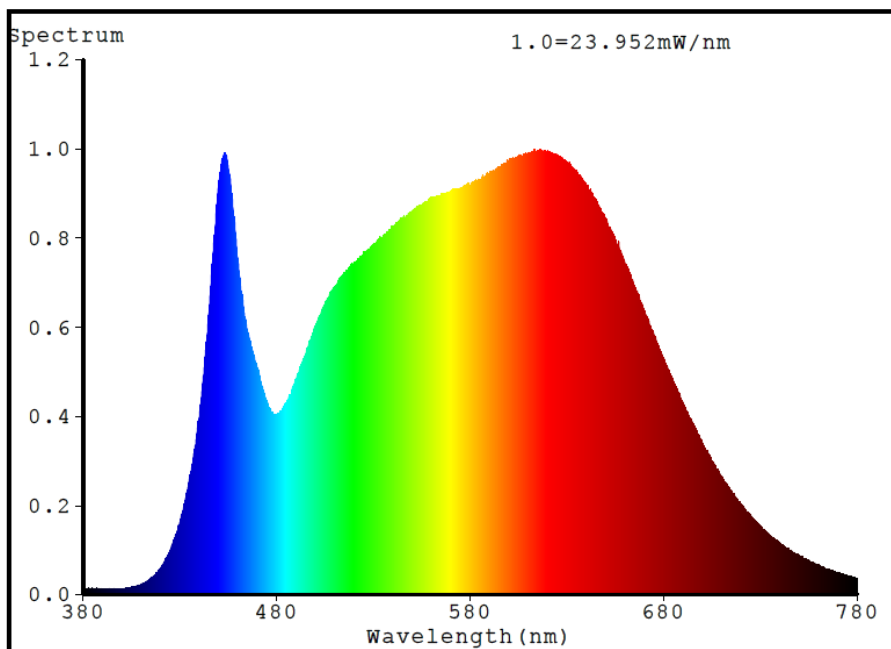
Tel. +48 34 344 91 10, 344 91 11, fax +48 34 344 91 12

www.nowodvorski.com

LUMINOUS INTENSITY DISTRIBUTION DIAGRAM



Spectral distribution



Nowodvorski sp. j.
 ul. Bojemskiego 11, 42-202 Częstochowa, POLSKA, NIP: PL 5731015208
 Tel. +48 34 344 91 10, 344 91 11, fax +48 34 344 91 12
www.nowodvorski.com

LUMINAIRE PHOTOMETRIC TEST REPORT

8756 CTLS NEA LED WHITE 20W, 4000K, ANGLE36°



Description Lines

Manufacturer:	NOWODVORSKI LIGHTING
Model name:	8756 CTLS NEA LED WHITE 20W,4000K,ANGLE36
File name:	8756 CTLS NEA LED WHITE 20W,4000K,ANGLE36.ltd
Date:	2019-08-19
Report number:	EF 19/08/2019/43; EF 12/12/2019/41
Length:	150 mm
Width:	63 mm
Height:	195 mm
IP rating:	IP 20
Protection class:	I
Dimmable:	No

Equipment

Test system:	EVERFINE GO-2000B_V1 SYSTEM V2.00.417
Temperature:	25 +/-1 °C
Humidity:	65.0%
γ interval:	2 deg
C interval:	10 deg
γ range:	0-180 deg
Measurement distance:	6.56 m

Nowodvorski sp. j.

ul. Bojemskiego 11, 42-202 Częstochowa, POLSKA, NIP: PL 5731015208

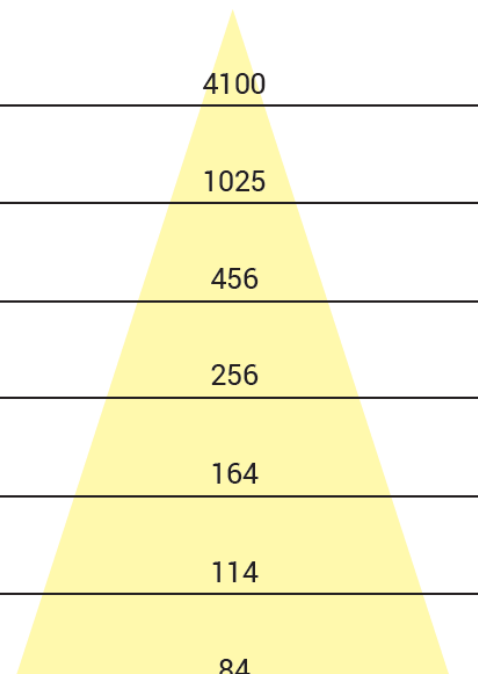
Tel. +48 34 344 91 10, 344 91 11, fax +48 34 344 91 12

www.nowodvorski.com

Photometric data

Total luminous flux:	1713.69 lm
Color temperature:	3918 K
x:	0.3853
y:	0.3831
Color rendering index:	93.3
Wattage:	19.222 W
U	230.52 V
I	0.0856 A
Power factor:	0,9737
Luminous efficacy:	88.49 lm/W
Flux in lower hemisphere:	98.6%
Flux in upper hemisphere:	1.4%
Maximum luminous intensity:	4100 cd
Light output ratio (LOR):	100.00%

Beam cone diagram Beam angle 36°



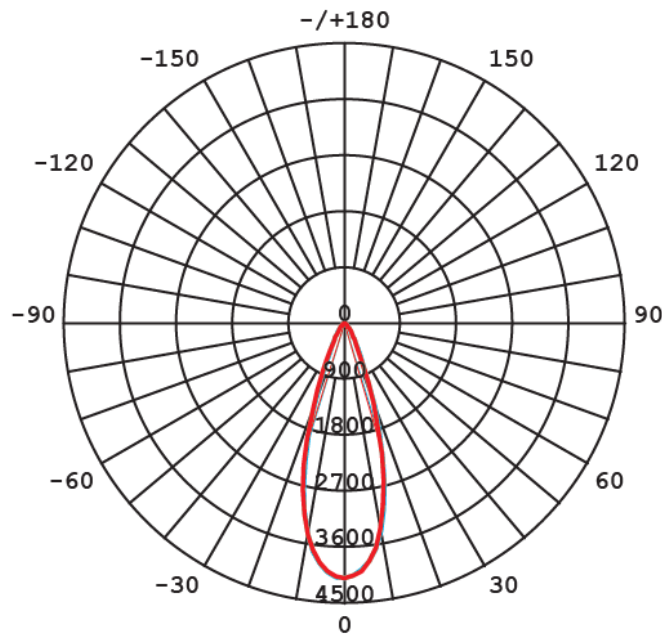
1 m	4100	0,62
2 m	1025	1,23
3 m	456	1,85
4 m	256	2,46
5 m	164	3,08
6 m	114	3,69
7 m	84	4,31
Distance [m]	Illuminance [lx] 3000K/4000K	Diameter [m]

Nowodvorski sp. j.

ul. Bojemskiego 11, 42-202 Częstochowa, POLSKA, NIP: PL 5731015208
Tel. +48 34 344 91 10, 344 91 11, fax +48 34 344 91 12

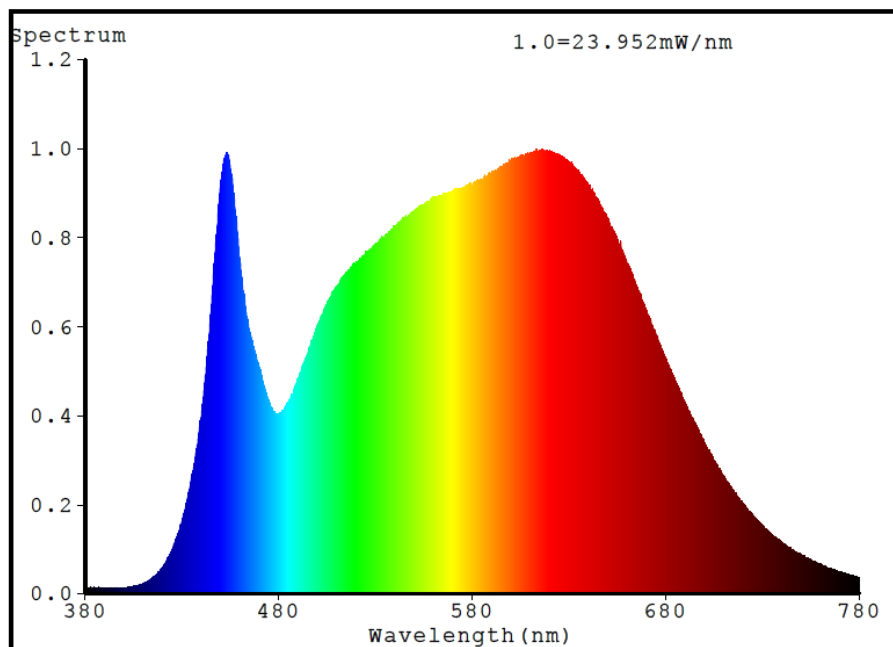
www.nowodvorski.com

LUMINOUS INTENSITY DISTRIBUTION DIAGRAM



Luminous intensity [cd]
 C0-C180 ————
 C90-C270 ————

Spectral distribution



Nowodvorski sp. j.
 ul. Bojemskiego 11, 42-202 Częstochowa, POLSKA, NIP: PL 5731015208
 Tel. +48 34 344 91 10, 344 91 11, fax +48 34 344 91 12
www.nowodvorski.com