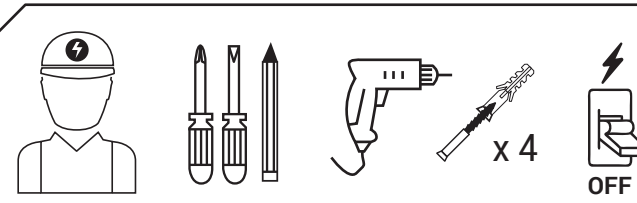
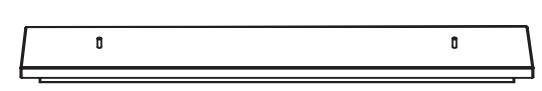


WARNING! THIS CANOPY IS DESIGNED TO WORK ONLY WITH CAMELEON CABLES AND CAMELEON SHADES.
THE FIXTURE MAY ONLY BE INSTALLED AND CONNECTED BY PERSONS QUALIFIED FOR WORK WITH ELECTRICAL EQUIPMENT.

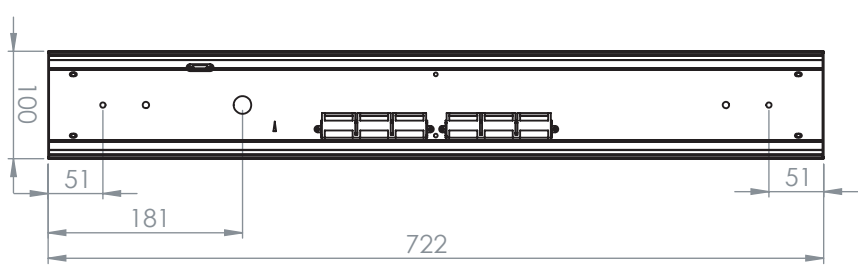
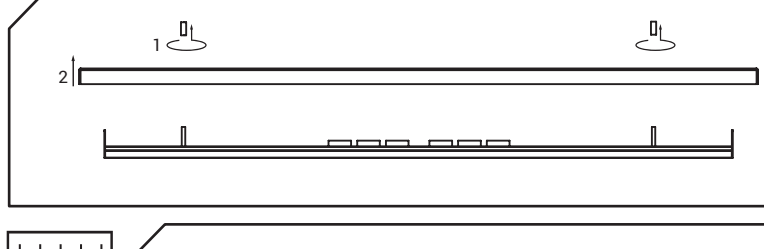


CANOPY D
□ 8553 | 8552

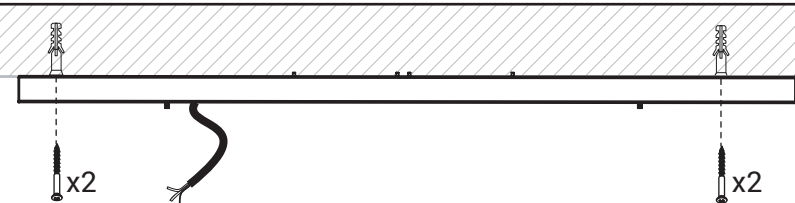
1



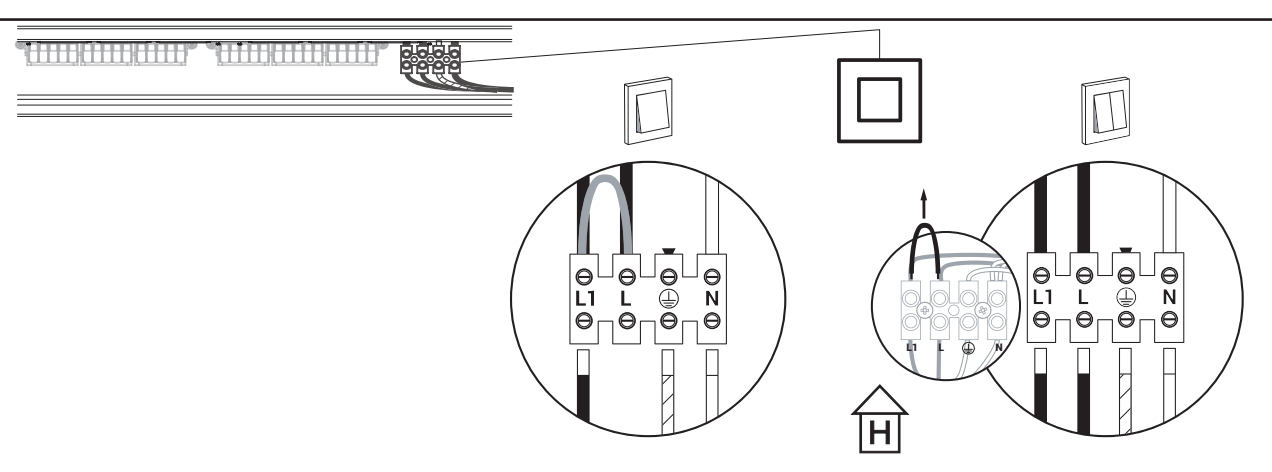
2



2



3



4

