

LUMINAIRE MODEL	MARGOT II	CATALOGUE GROUP	—
	10503	COUNTRY OF ORIGIN	—

LIGHT SOURCE	E14	DIMENSIONS
LIGHT SOURCES TYPE	Replaceable	
MAXIMUM WATTAGE	6W LED	
LAMP INCLUDES SOURCE OF LIGHT	No	
NUMBER OF LIGHT SOURCES	2	
IP	IP54	



PACKAGE DIMENSIONS (L/W/H) **28.5cm/15cm/28.5cm**

NET/GROSS WEIGHT **1.89kg/2.42kg**

ASSEMBLY METHOD **Direct assembly**

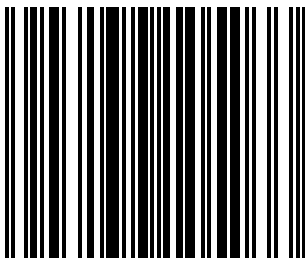
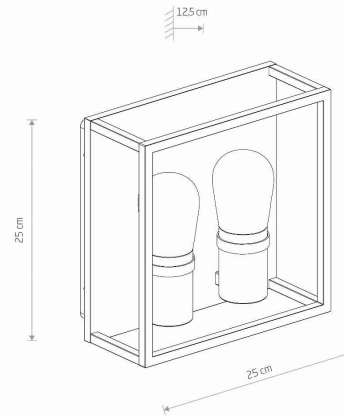
LEADING/SUPPLEMENTARY COLOR **Graphite**

MATERIALS **Painted aluminum, Glass**

STYLE **Industrial**

ELECTRICAL SECURITY CLASS **I**

POWER SUPPLY **~220-230V/50/60Hz**



5 903139105033