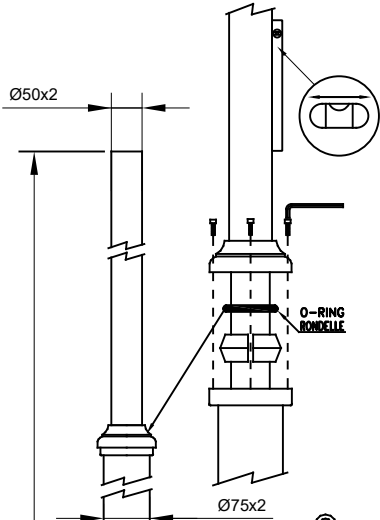
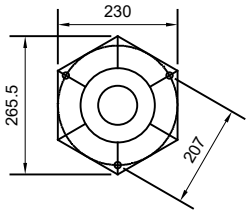
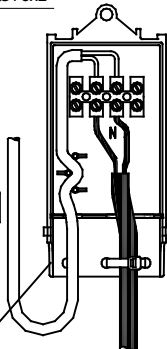


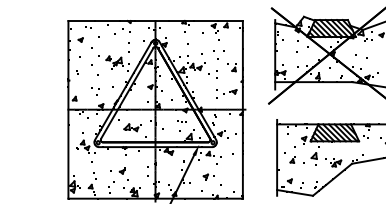
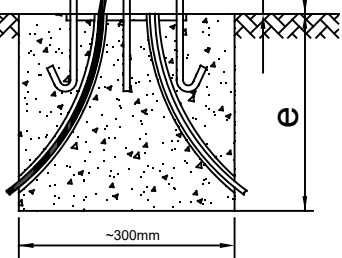
**Art.3010**



Min 120 - Max 220

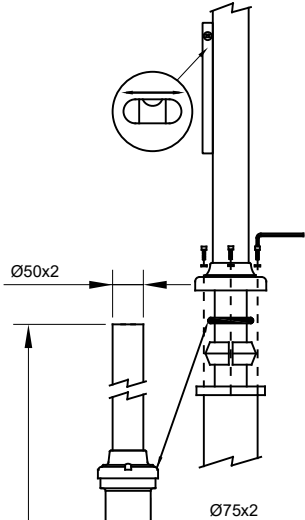
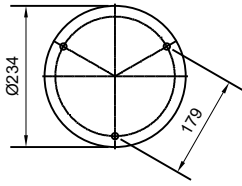


max 26.5mm  
min 22.5mm  
min 450mm

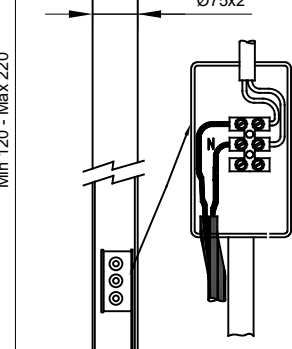


Art.305 or 306

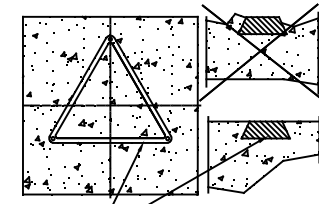
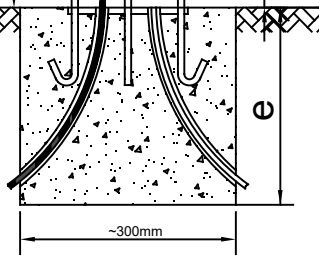
**Art.3011**



Min 120 - Max 220

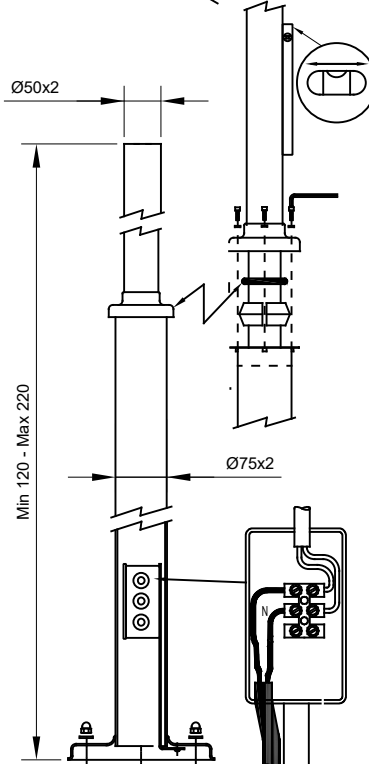
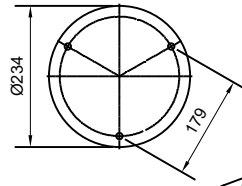


min 350mm

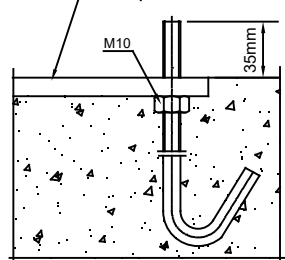
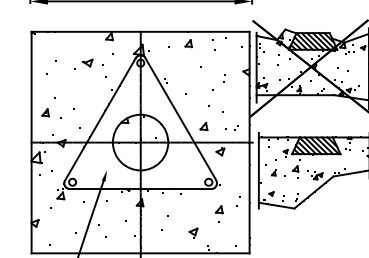
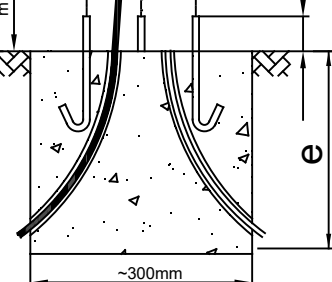


Art.405 or 406

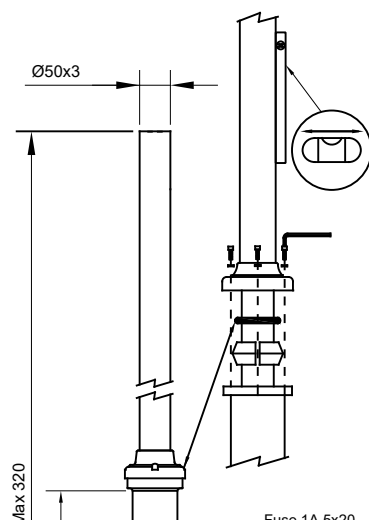
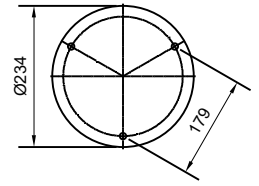
**Art.3009**



min 350mm

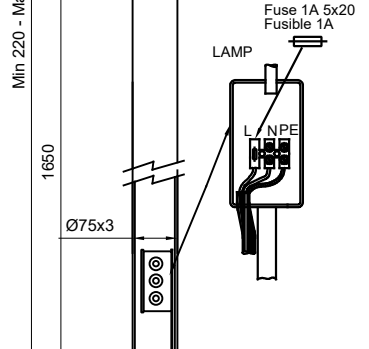


**Art.: 1270**

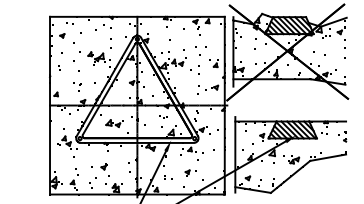
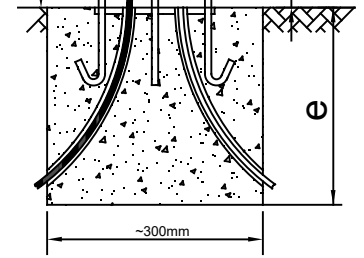


Min 220 - Max 320

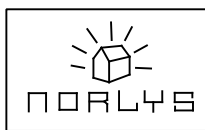
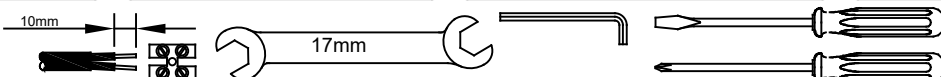
1650



min 350mm



Art.405 or 406



### Art.30101

#### Instalation:

Pole must be set up into a concrete foundation.

The size of the concrete foundation must be calculated according to standard EN 40-1 for pole and luminaire together and depends on the ground, wind and weather condition in the place of assembly

Nominal Height / Wysokość Nominalna	Minimal depth of foundation / Minimalna głębokość posadowienia		
H [m]	e [mm]		
≤ 5	600	800	1000
6	800	1000	1200
7, 8	1000	1200	1500
9, 10	1200	1500	1700
12	1500	1700	2000
14	1500	2000	2500
15	1500	2000	2500
16	1500	2000	2500
18	1500	2000	2500
20	1800	2000	2500

