

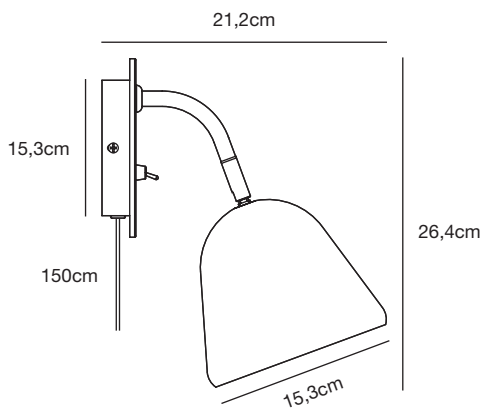


Fleur Wall

Masterbox	Qty 3
Size	H: 26,4 cm, W: 15,3 cm, D: 21,2 cm, Shade Ø: 15,3 cm, Pipe Ø: 1,25 cm, Base Ø: 15 cm, Tilt angle: 45°
Material	Metal
IP Class	IP20, Class 2
Cable	Cable: White 150 cm replaceable Switch on fixture
Light source	E14, Max. 15W, Excl. light source,

Features

- Vintage design
- Elegant brass details
- On/off rocking switch
- Adjustable lamp head for a directional light



Fleur Floor

Masterbox	Qty 2
Size	H: 148 cm, W: 26,5 cm, L: 61,2 cm, Shade Ø: 23,4 cm, Pipe Ø: 1,6 cm, Base Ø: 26,5 cm, Tilt angle: 90°
Material	Metal
IP Class	IP20, Class 2
Cable	Cable: White 150 cm non replaceable Switch on fixture
Light source	E27, Max. 15W, Excl. light source,

Features

- Vintage design
- Elegant brass details
- On/off rocking switch
- Adjustable lamp head for a directional light

