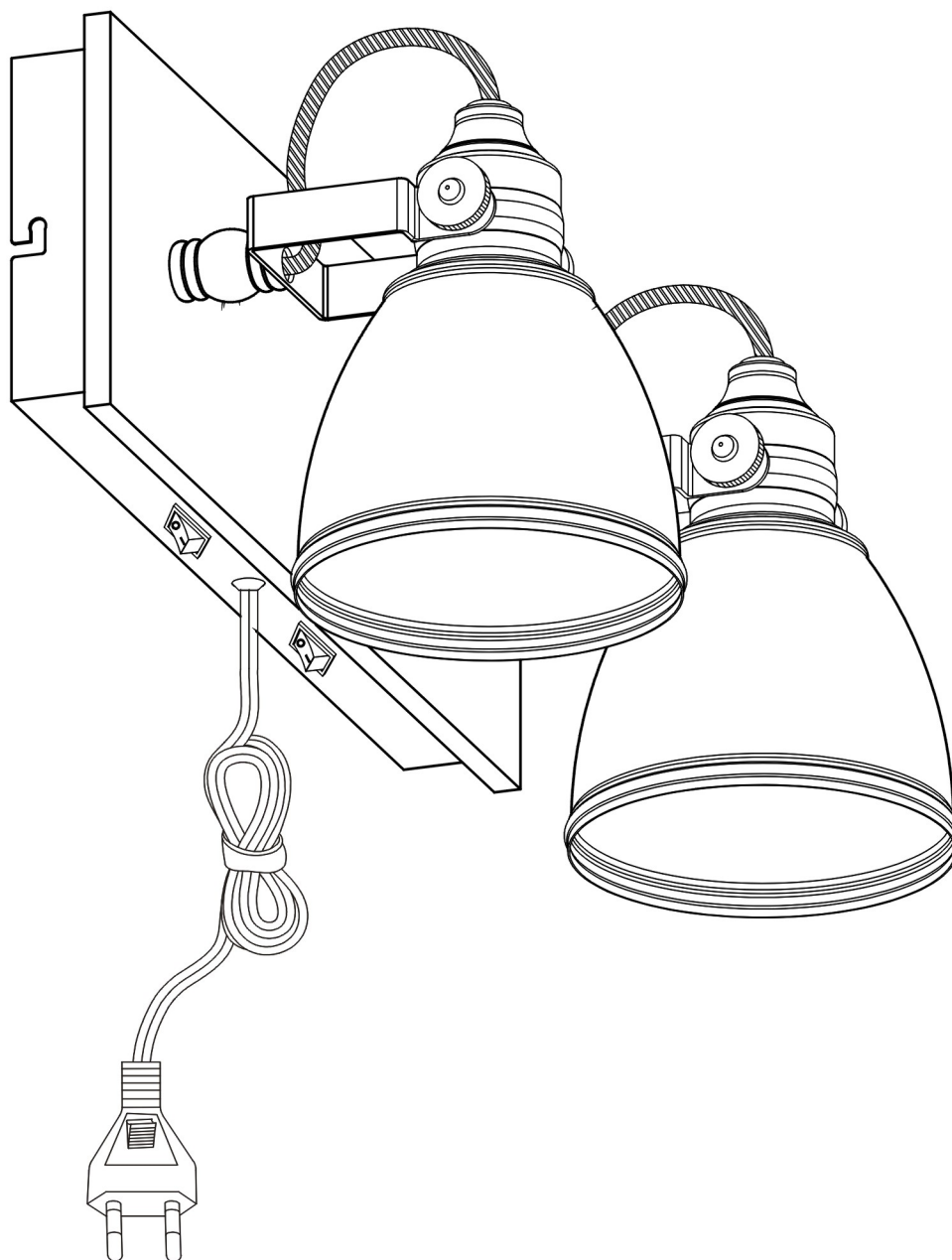


# ***NATIVE WALL 2L***

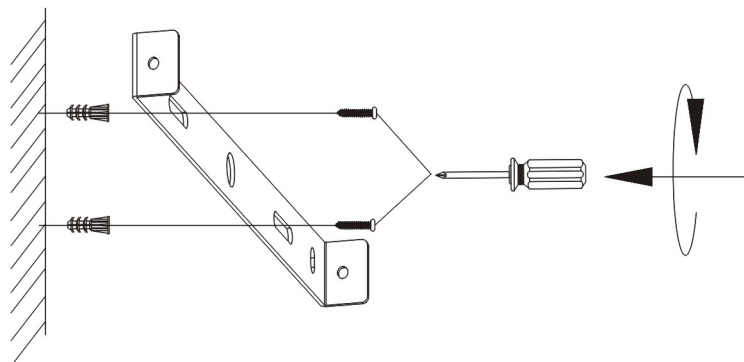
108213 108214



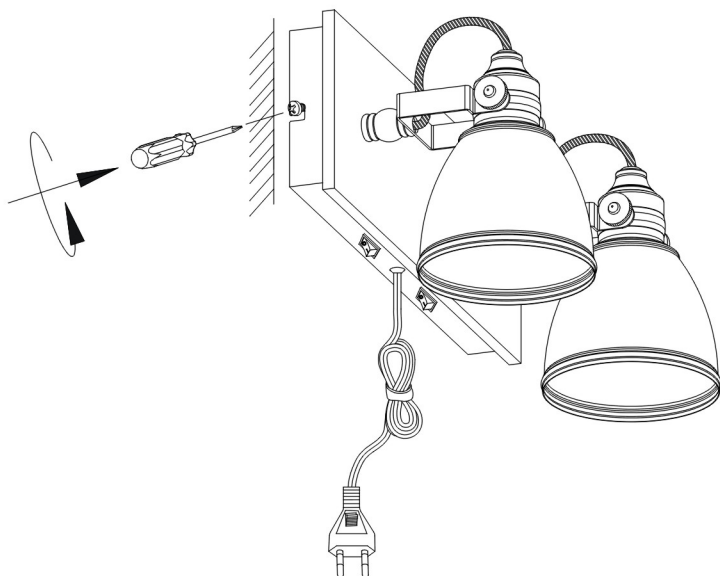
Markslöjd Intertrade AB  
Gränevägen 5 S-51162 Skene Sweden  
[www.markslويد.com](http://www.markslويد.com)



1.



2.



3.

