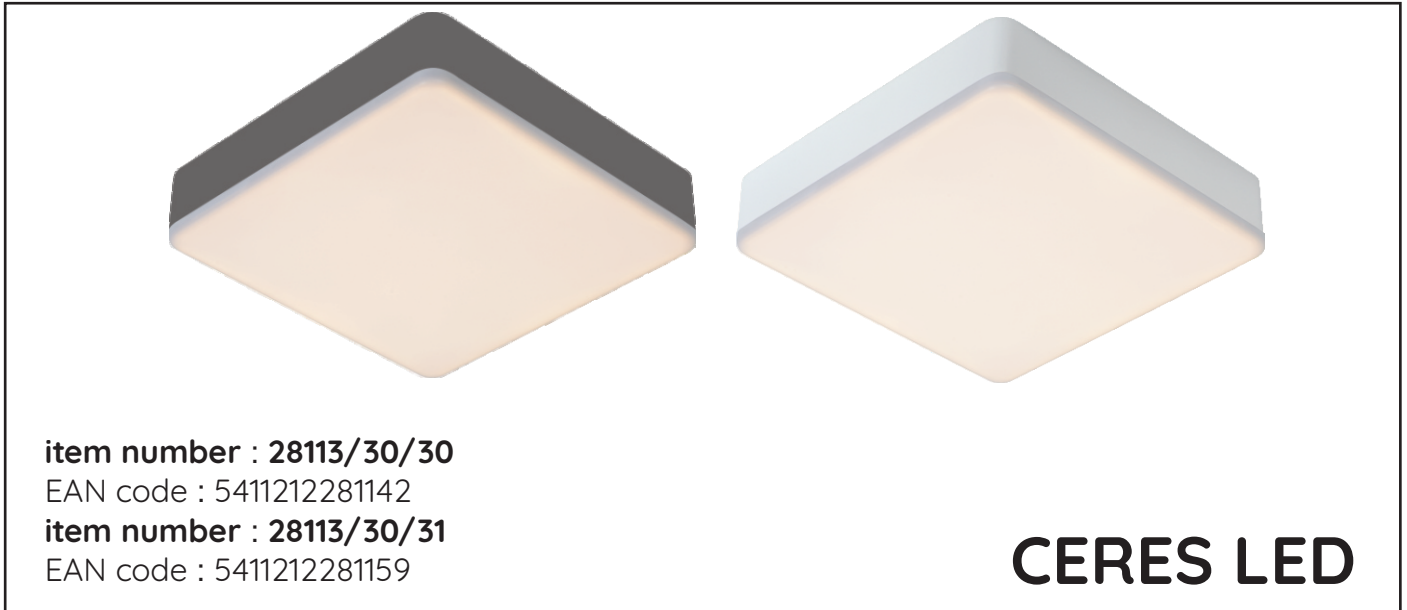


# LUCIDE



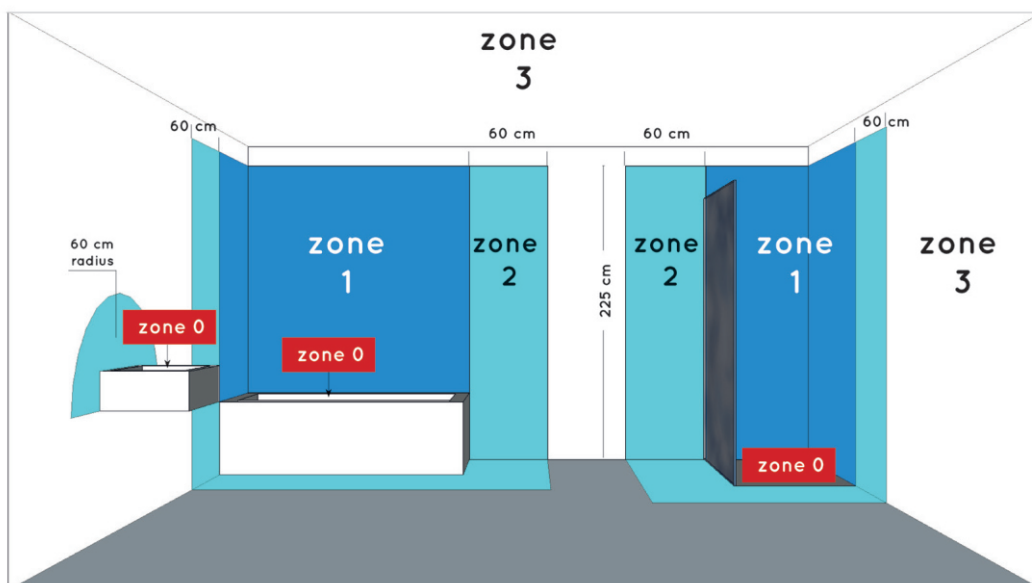
### General

**Dimensions LxWxH :** 21,5 cm x 21,5 cm x 4,6 cm  
**Heigth minimum :** 4,6 cm  
**Heigth maximum :** 4,6 cm  
**Dimensions shade LxWxH :** 21,5 cm x 21,5cm x 0,92 cm  
**Main material :** Aluminum, PMMA,Plastic  
**Ceiling rose material :** -  
**Color :** Matt black&Matt white  
**Style :** Modern  
**Shape :** Square  
**Weight :** 1,05 kg  
**Warranty :** 3 years

### Installation of items in bathroom:

### Product specifications

**Dimmable :** Yes  
**Light direction :** Around (Diffuse)  
**Adjustable in height :** Not adjustable In Height  
 (Before Installation)  
**Directional :** 120°  
**Cable :** No Cable On Porduct  
**Cable length :** -  
**Sensor :** Without Sensor  
**Control :** Light Switch Control  
**IP-Class :** Recessed 66, Surface mounted 44  
**Electric class :** 2  
**Light source including ? :** Yes  
**Lamp socket :** No  
**Light source number :** 152pcs  
**Power requirements :** 220-240V~50Hz  
**Bulb type & maximum wattage :** SMD 2016 LED.30W



IP classifications

zone 0



zone 1  
minimum

IP65

zone 2  
minimum

IP44

zone 3  
minimum

IP21

For more specifications of  
this product please visit  
[www.lucide.com](http://www.lucide.com)

LUCIDE

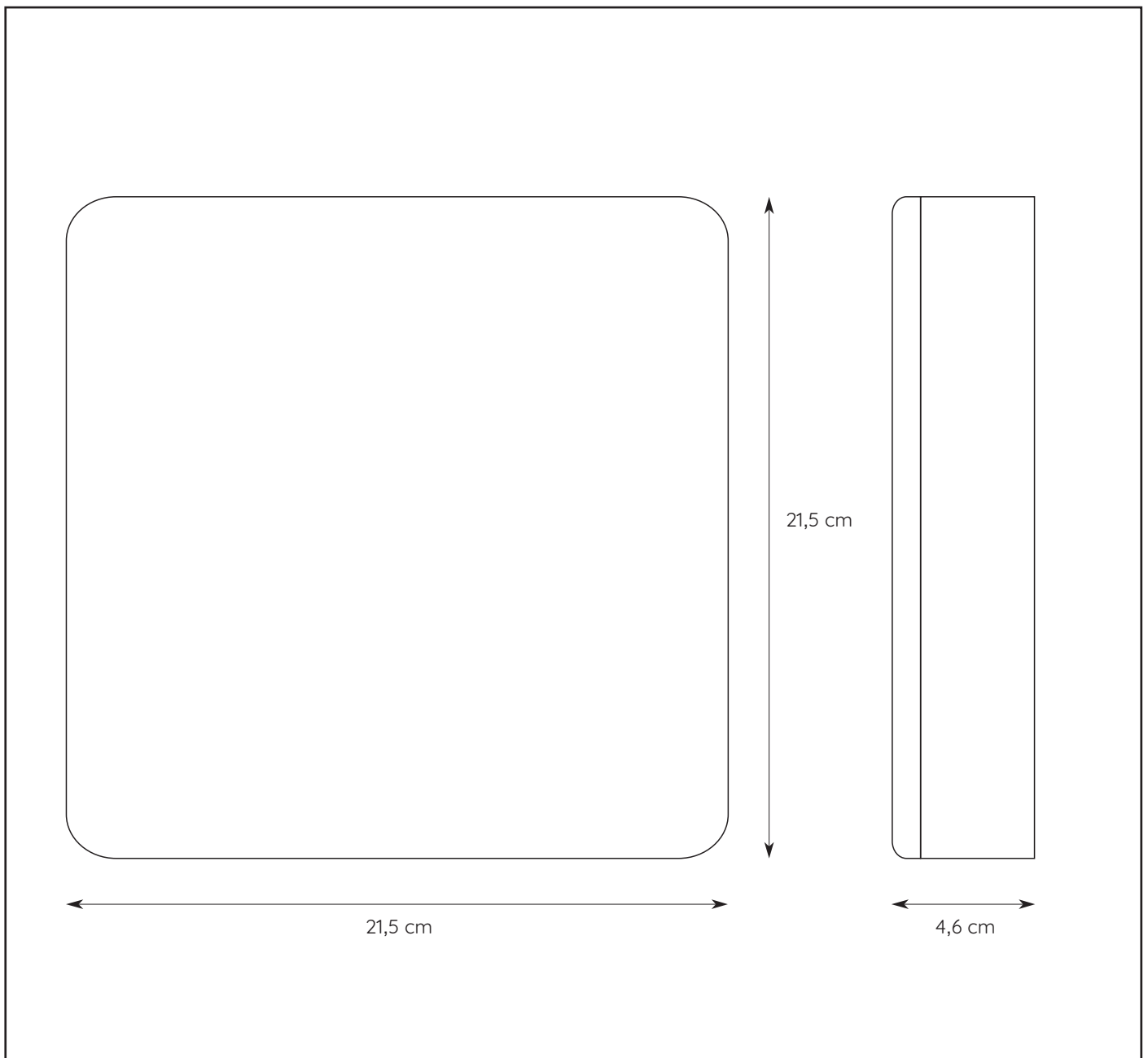
## CERES LED

Item number : 28113/30/30

EAN code : 5 411212281142

Item number : 28113/30/31

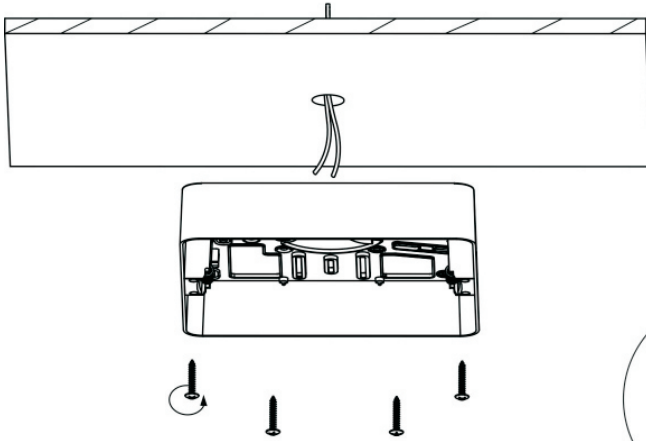
EAN code : 5 411212281159



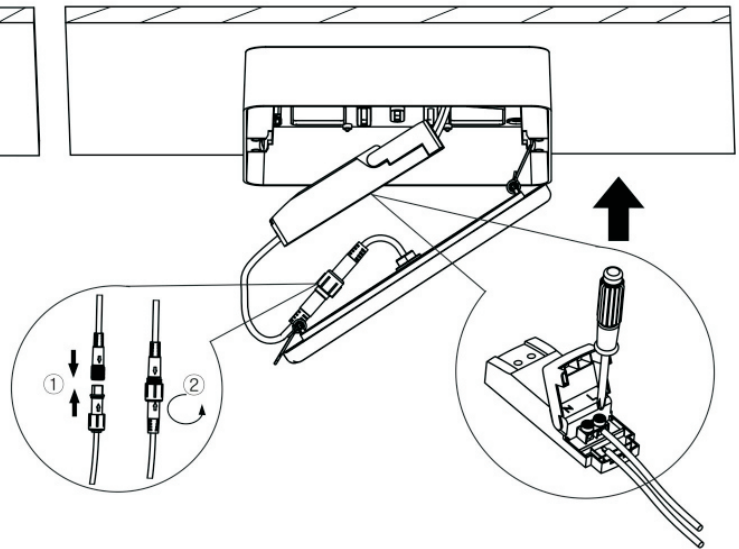
For more specifications, dimensions please visit  
[www.lucide.com](http://www.lucide.com)

Surface mounted installation(IP44)  
 Opbouw montage(IP44)  
 Plafonnier(IP44)  
 Aufbaumontage(IP44)

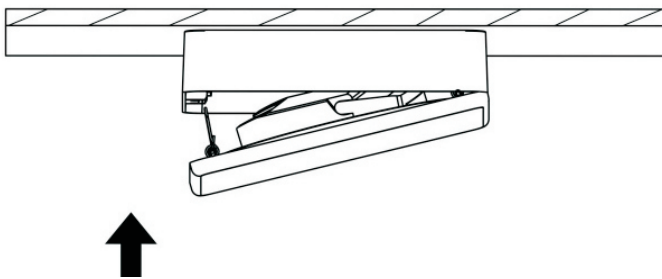
①



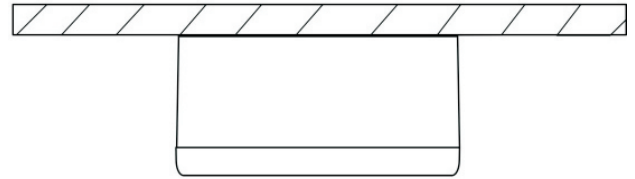
②



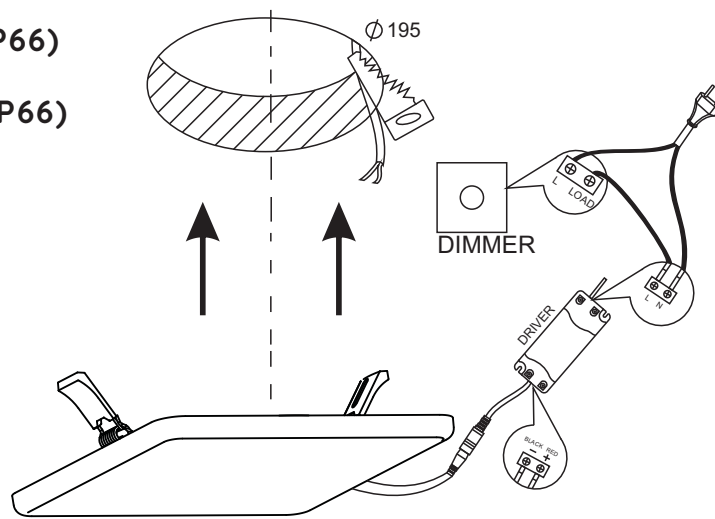
③



④



Recessed installation(IP66)  
 Inbouw(IP66)  
 Installation encastrée(IP66)  
 Einbau(IP66)



Dit product bevat een lichtbron van energie-efficiëntieklasse G  
 Ce produit contient une source lumineuse de classe énergétique G  
 This product contains a light source of energy efficiency class G  
 Dieses Produkt enthält eine Lichtquelle der Energieeffizienzklasse G  
 Ten produkt zawiera źródło światła o klasie efektywności energetycznej G