

# LUCIDE



### RECOMMENDED LUCIDE LIGHT SOURCE

49006/05/30  
Light source dimmable : Yes  
Light source incl. : Yes

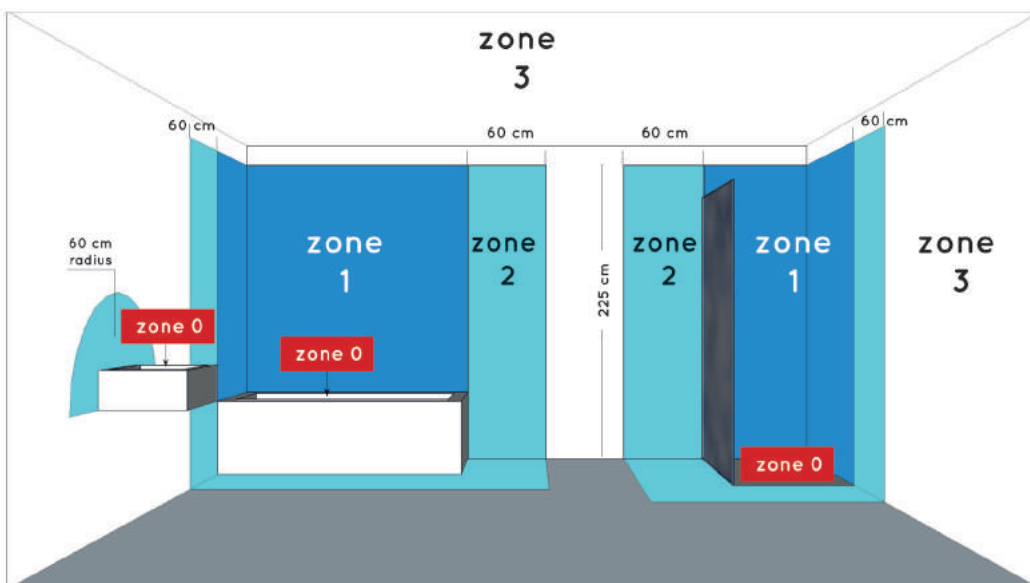
### General

**Dimensions LxWxH :** 11.6cm x10cm x 14.7cm  
**Heigth minimum :** 12.5 cm  
**Heigth maximum :** 14.7 cm  
**Dimensions shade LxWxH :** Ø 5.4cm x 8.4 cm  
**Main material :** Iron/Aluminum  
**Ceiling rose material :** -  
**Color :** SAND MATT BLACK  
**Style :** Modern  
**Shape :** Square  
**Weight :** 0,5 kg  
**Warranty :** 2 years

### Installation of items in bathroom:

### Product specifications

**Dimmable :** Yes  
**Light direction :** Focus  
**Adjustable in height :** Not adjustable In Height (Before Installation)  
**Directional :** Yes  
**Cable :** No cable On Product  
**Cable length :** - cm  
**Sensor :** Without Sensor  
**Control :** Light Switch Control  
**IP-Class :** 44  
**Electric class :** 1  
**Light source including ?:** Yes  
**Lamp socket :** GU10  
**Light source number :** 1  
**Power requirements :** 220-240V~50Hz  
**Bulb tube & maximum wattage :** 5W LED GU10



### IP classifications

zone 0



zone 1  
minimum

IP65

zone 2  
minimum

IP44

zone 3  
minimum

IP21

For more specifications of  
this product please visit  
[www.lucide.com](http://www.lucide.com)

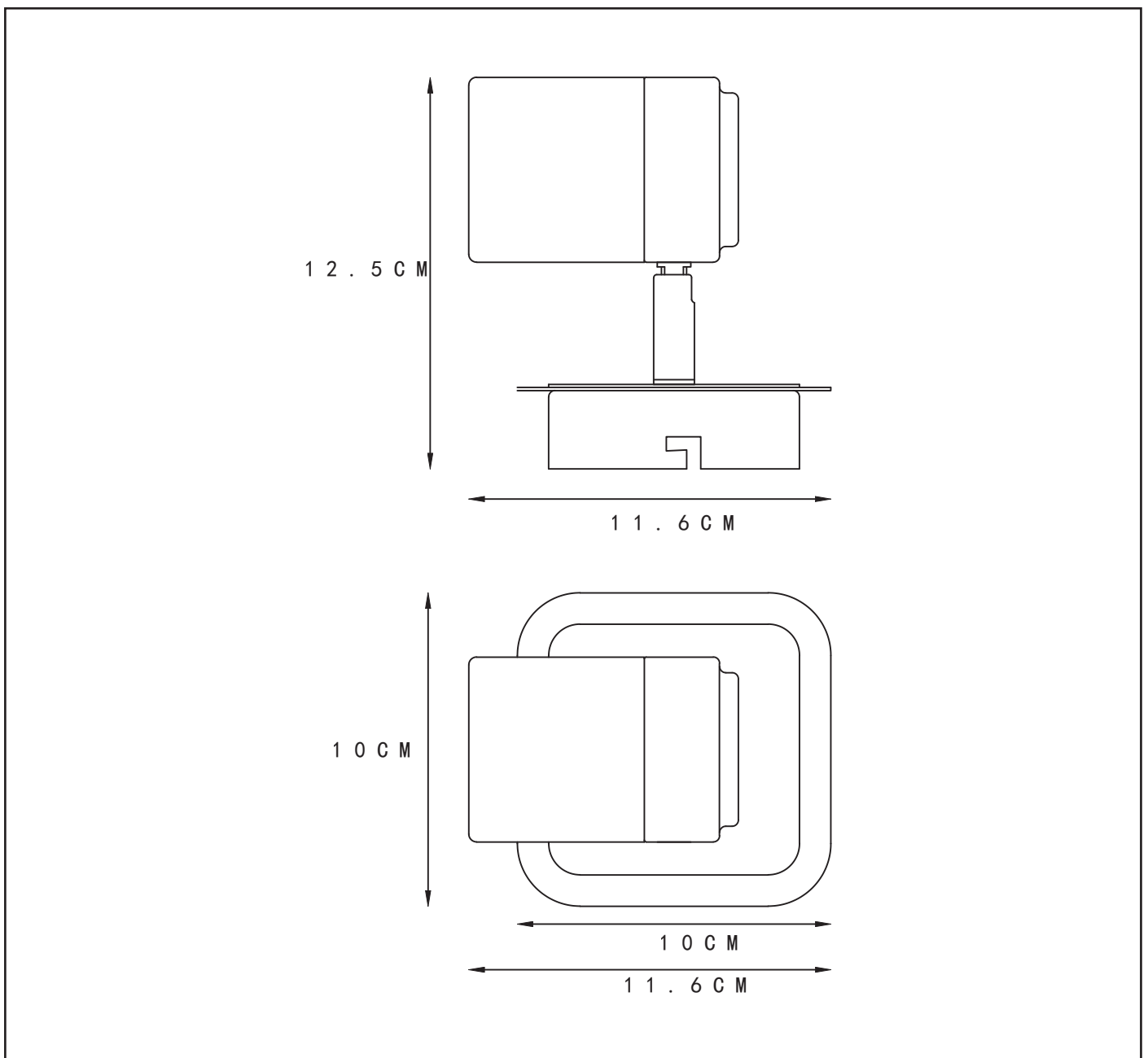
LUCIDE

TECHNICAL DRAWING & DIMENSIONS

# LENNERT

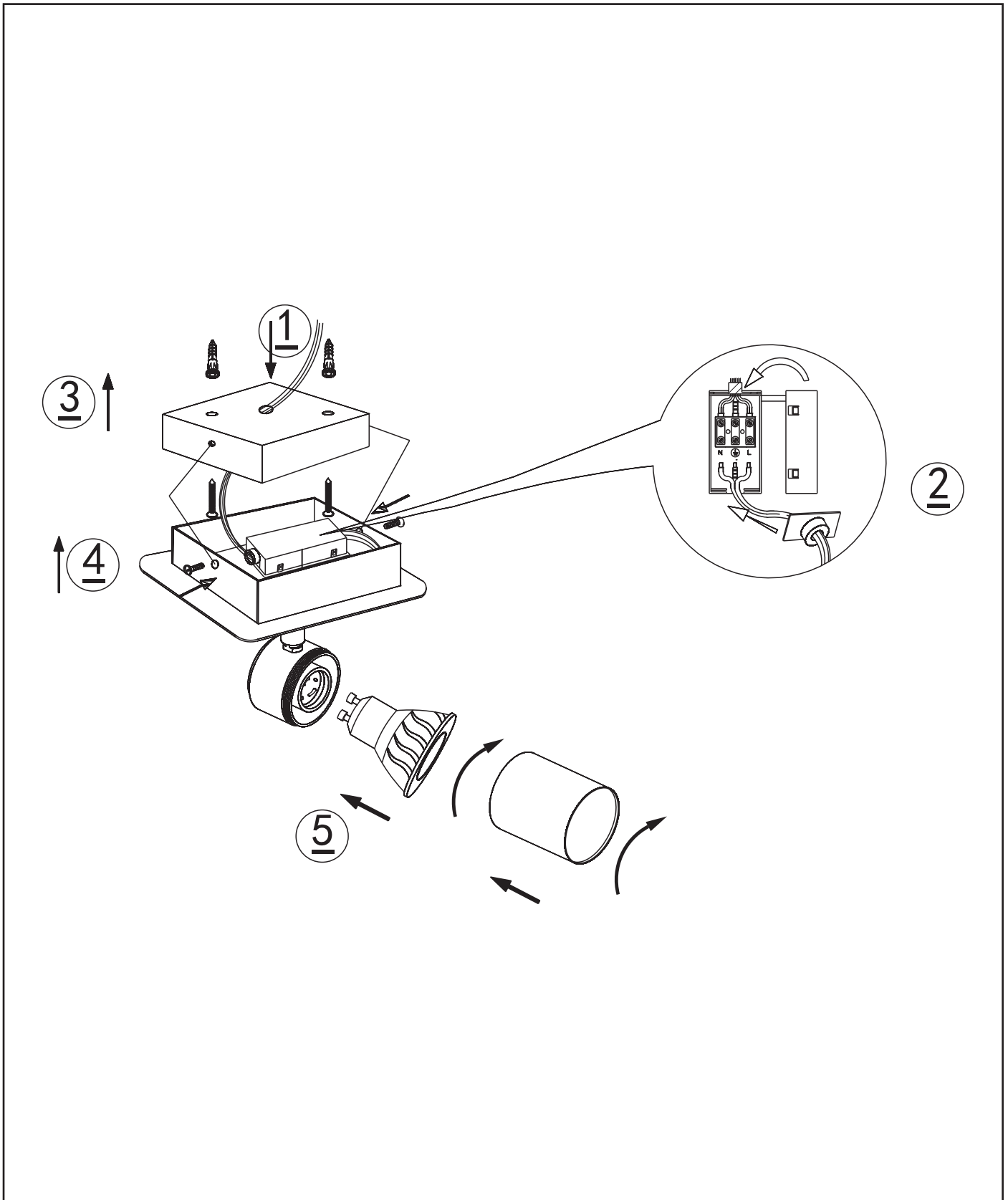
Item number : 26958/05/30

EAN code : 5 411212262677



For more specifications, dimensions please visit  
[www.lucide.com](http://www.lucide.com)

# LUCIDE



Dit product bevat een lichtbron van energie-efficiëntieklasse A+  
 Ce produit contient une source lumineuse de classe énergétique A+  
 This product contains a light source of energy efficiency class A+  
 Dieses Produkt enthält eine Lichtquelle der Energieeffizienzklasse A+  
 Ten produkt zawiera ród o wiat a o klasie efektywno ci energetycznej A+