

**LAURA ASHLEY****Installation & Operation Guide****Joseph 3 Light Chandelier Antique Brass**

3732584

**WARNINGS**

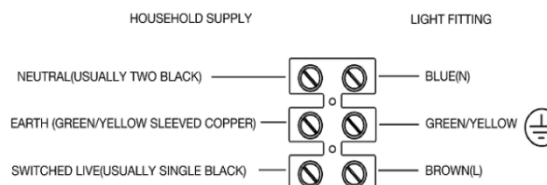
This unit has been designed and built according to international safety standards. These warnings are given for safety reasons and must be carefully followed.

Please read these instructions carefully and retain this document.

- Install in accordance with the current IEE Wiring Regulations and current Building Regulations.
- Ensure another person cannot restore electrical supply without your knowledge.
- If in doubt installation should be carried out by a registered electrician and an Electrical Installation Certificate must be issued for work carried out.
- Always shut off power to the circuit before starting installation work.
- Only use the Bulb Wattage recommended by the label on the lamp holder or lower. Never Exceed Recommended Wattage.
- When changing a bulb, switch off at mains, allow bulb 15-20 minutes to cool before handling. Dispose of used bulbs in accordance with local regulations.
- This product is suitable for indoor use only and place out of direct sunlight.
- Laura Ashley work hard with some of the best suppliers available to be sure that the quality of our product does not disappoint. Please inspect the unit before installation and speak to customer services if there is an issue. Issues are more difficult to rectify once the unit is installed.
- The glass shade is fragile; the edge will chip easily if they come into contact with other surfaces.
- Please clean using a damp cloth, do not use abrasive cleaners or multi-purpose sprays as they may affect the finish.
- The flexible cable on this luminaire, if damaged, shall only be replaced by the manufacturer or his service agent or a similar qualified person.

**Specification**

Power Source	220-240 V ~ 50/60 Hz
Class	Class I $\perp$
Recommended Bulb	Shape – Candle 300 lm
	LED 4-8W
	CFL 8-9W
	Incandescent 40W
	Halogen 28W
Suitable for Use with	Yes
Dimmer	
Weight	2.3kg

**Installation**

- This is a Class I product and must be connected to an earth circuit.
- If replacing an existing fitting note down or photograph the existing wiring arrangement before disassembling for reference.
- Check beam and ceiling for any weakness before beginning installation.
- Ensure the bracket supplied is fixed to a wooden joist in the ceiling using screws supplied or use a suitable fixing to the ceiling that will support the weight of the fitting.
- The weight of this product must be supported by the supplied chain and not the flex.
- Adjust the chain to the required length; pull through the excess flex ensuring that no strain is placed on the flex.
- Connect wiring using provided connection block.
- Replace insulation sleeve before closing connection block.
- Position ceiling rose over mounting bracket and attach using screws provided.
- Carefully lower the product until the bracket and ceiling rose take the weight. Check and if necessary re-tighten screws.
- If in doubt at any time stop and consult a professional tradesman.

**Customer Services**

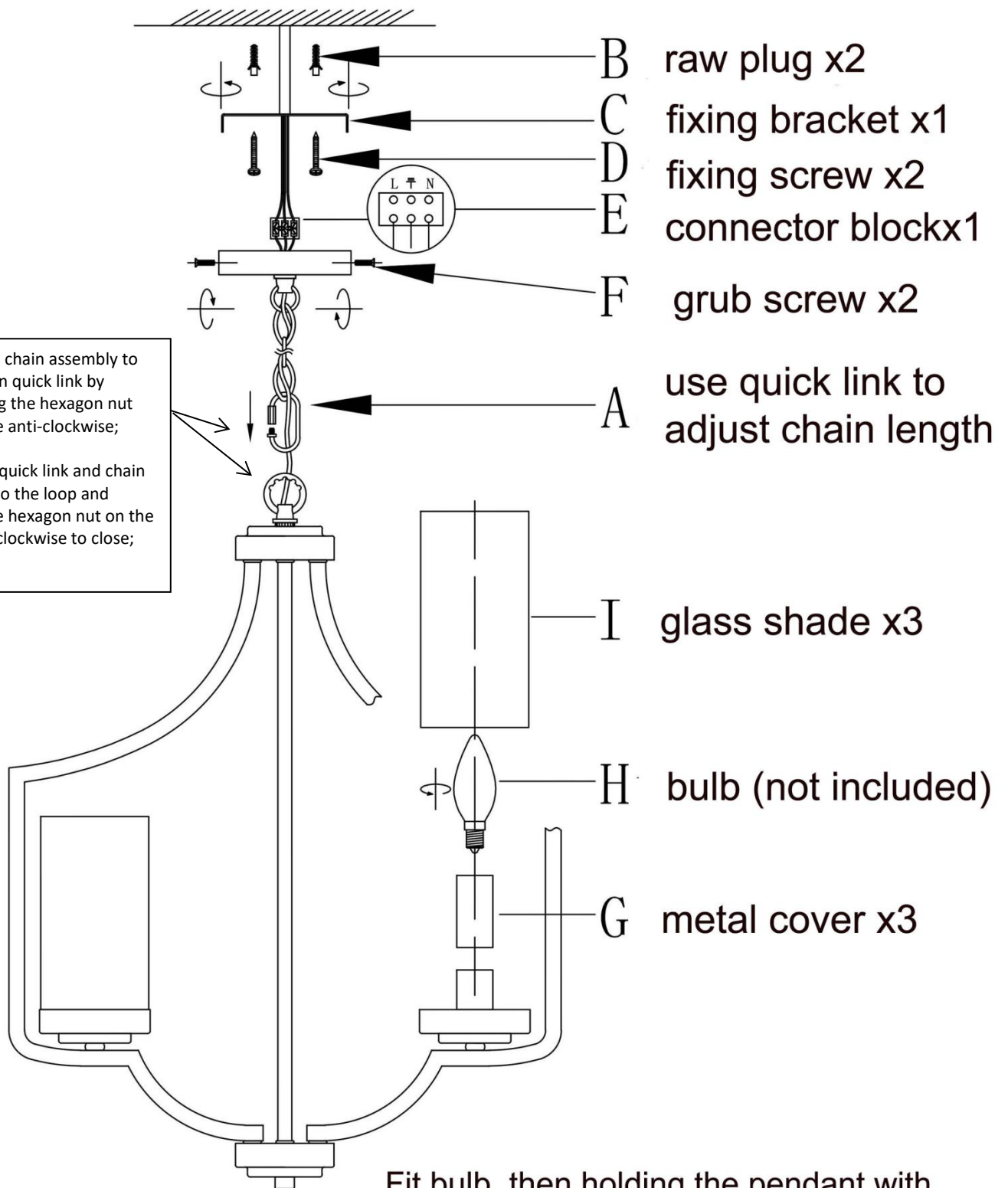
Any problems call our customer services team on 03332 008 009 (Mon-Friday 0800 – 1800) or write to: Laura Ashley Customer Services, PO Box 19, Newtown, Powys, SY16 1DZ

Calls charged at national rate

**LAURA ASHLEY**

27 Bagleys Lane, Fulham  
London SW6 2QA

Please refer to the website for more information  
[www.lauraashley.com](http://www.lauraashley.com)



•To attach chain assembly to fitting open quick link by unscrewing the hexagon nut on the side anti-clockwise;

•Refit the quick link and chain assembly to the loop and tighten the hexagon nut on the quick link clockwise to close;

Fit bulb, then holding the pendant with one hand, carefully slide the glass shade over the bulb and lamp holder assembly. To fit and change light bulb, carefully remove glass shade.