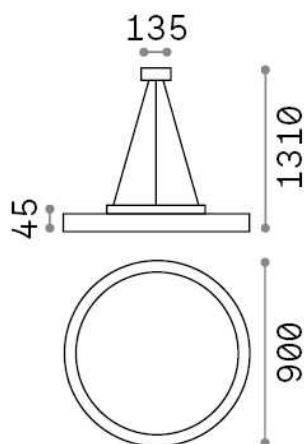


Fly



General info

Indoor - Suspensions

Ean	8021696306766
Item	FLY SP D90 3000K NERO
Installation	Suspensions
Guarantee	5 years
Gross weight	9.5 kg
Volume	-

Technical info

Net weight	8.4 kg
Insulation class	I
Protection index	IP40
Compliance	CE
Operating temperature	0° ~ +40 °C
Dimmer	Non-dimmable, On-Off
Power output	220-240 V AC 50/60 Hz
Power supply	In-built, included Replaceable (by qualified operators only), electronic, tridonic/osram
Accessories not included	Dimmable driver, upright module

Source info

Integrated source	Integrated LED module
Replaceable source	Replaceable (by qualified operators only)
Power	65 W
Emission	Direct
Max consumption	max 65,00 W
Features LED	LED SMD SAMSUNG
CCT	3000 K
Duration LED (t. 25°C)	50000 h
CRI	> 80
SDCM	3
Light beam	87°
UGR Maximum	< 19
Light beam flux	9400 lm
Useful light flux	7490 lm
Photobiological risk	1