

## General info

## Technical - Recessed

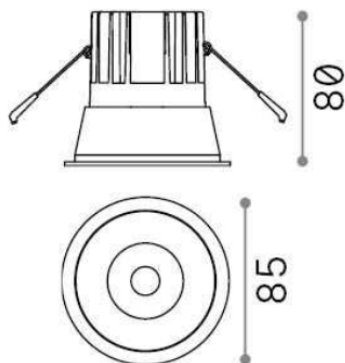
Indoor ceiling recessed projector with integrated LED sources and direct light emission



<b>Ean</b>	8021696285429
<b>Item</b>	GAME ROUND 11W 2700K WH WH
<b>Installation</b>	Recessed (Ceiling)
<b>Guarantee</b>	5 years
<b>Gross weight</b>	0.32 kg
<b>Volume</b>	0.00115 m <sup>3</sup>

## Technical info

<b>Net weight</b>	0.28 kg
<b>Insulation class</b>	II
<b>Protection index</b>	IP20
<b>Operating temperature</b>	0° ~ +40 °C
<b>Dimmer</b>	Non-dimmable, On-Off
<b>Power output</b>	220-240 V AC 50/60 Hz
<b>Power supply</b>	Separate, included YES (by qualified operators only), electronic
<b>Recessed specifications</b>	Ø 74 - h. ≥ 100 , 3-40
<b>Load resistance</b>	IK06
<b>Front protection index</b>	IP40 [DO NOT COVER]
<b>Accessories not included</b>	Dimmable driver



## Source info

<b>Integrated source</b>	Integrated LED module
<b>Replaceable source</b>	YES (by qualified operators only)
<b>Power</b>	11W
<b>Emission</b>	Direct
<b>Max consumption</b>	max 11,00 W
<b>Features LED</b>	LED COB CREE
<b>CCT</b>	2700 K
<b>Duration LED (t. 25°C)</b>	50000 h
<b>CRI</b>	> 80
<b>SDCM</b>	5
<b>Light beam</b>	36°
<b>UGR Maximum</b>	< 19
<b>Light beam flux</b>	1000 lm
<b>Useful light flux</b>	920 lm
<b>Standby power</b>	< 0.50