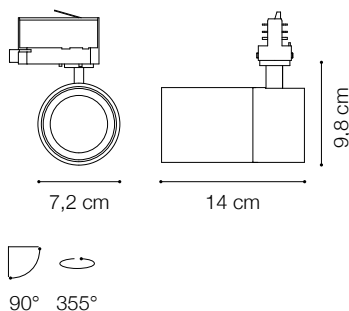




Extruded aluminum cylindrical tracklight suitable for installation on three-phase track. White or black powder coating, 355° turning head and 90° adjustable, the power driver is included and located in the cylindrical body of the projector itself. Dimmable 1-10 or DALI version available. Light source with integrated COB LED technology for maximum efficiency, available with a color temperature of 3000K or 4000K; Energy efficient LED with high color rendering, up to CRI ≥ 90; starting binning ≤3-Step MacAdam; symmetrical beam optic with three different emission angles and glare control (UGR <19); assembly and disassembly without tools; IP20 protection; insulation class I. Ideal for installation in big rooms, where great flexibility and color rendering is required, such as MUSEUM, COMMERCIAL and RETAIL spaces.

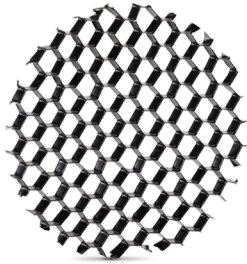


Code	249681
Item name	QUICK 15W CRI80 30° 3000K WH DALI
Source	LED COB CITIZEN
Power	15W
Driver included	TCI DALI
Driver available	No
Lumen	1900 Lm
MacAdam	SDCM 3
Beam	30°
CCT	3000K
CRI	≥80
UGR	-
LED Life	50.000 h
Insulation class	Class I
IP	20
Material	Aluminum
Warranty	5 years
Net Weight	0,760 Kg
Volume	0,0038 m³



ideal lux | Quick

Code 222608
Item name QUICK 15W HONEYCOMB



Code 222592
Item name QUICK 15W LENS 15°

Code 253558
Item name QUICK 15W / 21W LENS 45°

